

M15048TLC3M

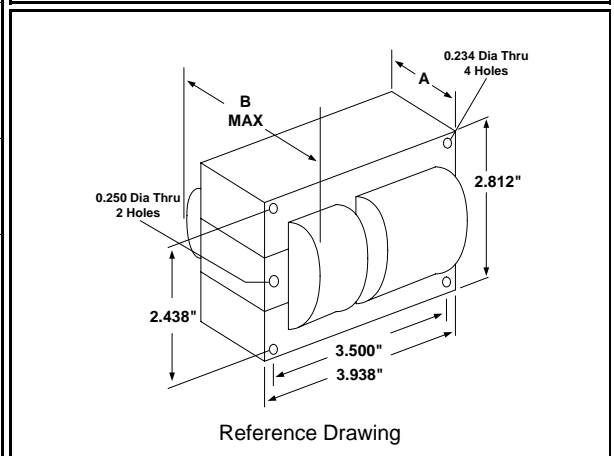
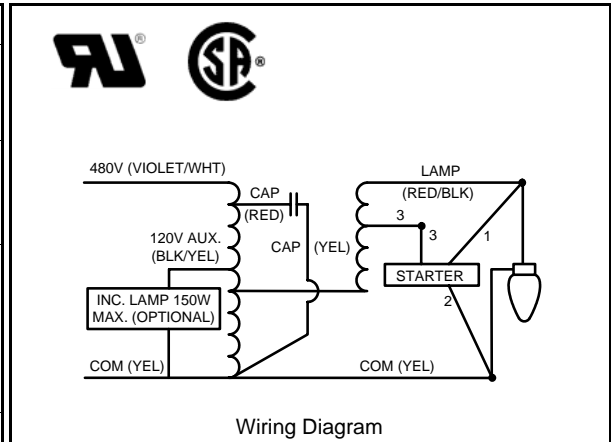
150W M102 / M142

Metal Halide

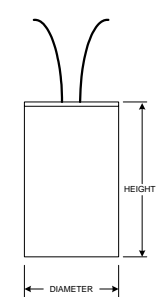
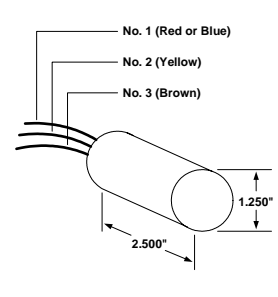
60Hz HX-HPF

Specification Sheet

Input Volts	480				
Regulation					
Line Volts	±5%				
Lamp Watts	±10%				
Power Factor (min)	90%				
Input Watts	185 W				
NOM. Open Circuit Voltage	260 V				
Line Current (Amps)					
Operating	0.40				
Open Circuit	1.00				
Starting	0.30				
Recommended Fuse (Amps)	3				
Lamp Dropout Voltage (Line)	220 V				
UL Temperature Ratings					
Insulation Class	H (180°C)				
Temperature Code	F				
MIN. Starting Temperature	-22°F -30°C				
CAPACITOR Specifications					
Microfarads	16 uf				
Volts (min.)	280 V				
60Hz Test Procedures					
High Potential Test 1 Minute	2000 V				
High Potential Test 1 Second	2500 V				
Secondary Open Ckt Voltage (V)	235 - 285				
Secondary Current Shorted (A)	1.80 - 2.40				
Input Operating Current (A)	0.35 - 0.45				
Input Open Circuit Current (A)	0.50 - 1.45				
Input Short Circuit Current (A)	0.15 - 0.35				
Core and Coil Specifications					
Dimension A	2.30 in				
Dimension B	3.60 in				
Weight	7.00 lbs				
Lead Lengths (inches)	12-14				
Coil Material (Pri. / Sec.):	Cu / Cu				



Capacitor: R17058522	Ignitor: MH100-3A
Max Case Temp: 100 °C	Max Case Temp 105 °C
Height: 2.83 in	BTL: 10 ft
Width / Diameter: 1.65 in	

Oil Cap. - P/N 005-1498-MF Consult Catalog for Specs.

Document #:	010-9707-08
Date:	11/18/2008
Status:	Production
Replaces Catalog #:	New Design

Data is based upon tests performed by Universal Lighting Technologies in a controlled environment and is representative of relative performance. Actual performance may vary depending on operating conditions. Specifications are subject to change without notice.