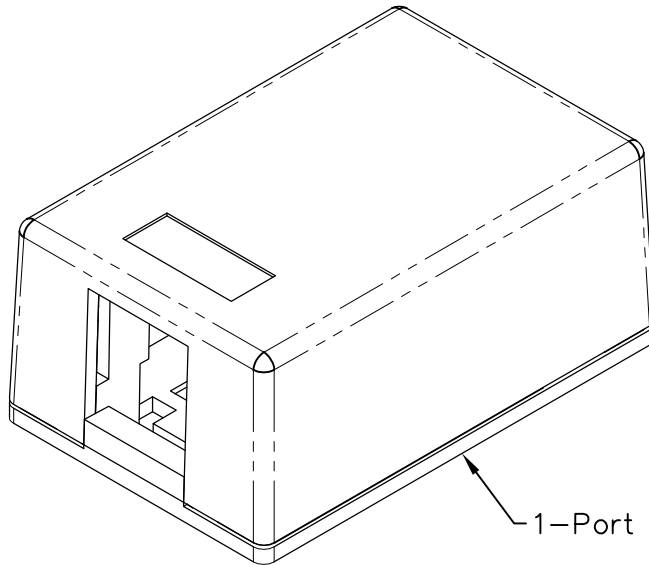


1-Port Surface Mount Box

PRODUCT SPECIFICATION

Package includes:

- A. Surface Mount Box Cover, 1 pc
- B. Surface Mount Box Base, 1 pc
- C. Double Sided Adhesive Strip, 1 pc
- D. #6 x 3/4" Pan Head, Sharp Point Tapping Screw, 2 pcs
- E. Installation Instructions, 1 sheet



1-Port Surface Mount Box

Features and Benefits:

- Provides a clean modular surface mount outlet solution of voice, data, and other communication needs to the work area for commercial or residential applications
- Multiple mounting options including adhesive backing, screws, and magnets
- Recessed area for ID label
- Rugged and durable construction
- Accommodates a wide variety of easy to snap-in modules, providing configuration flexibility
- Accepts all IC107 modules
- Not compatible with USB and HDMI coupler modules due to the size of the USB and HDMI cable connector end
- Available in black, gray, ivory, and white
- Installation instructions
- ANSI/TIA-568-C and UL 1863 compliant

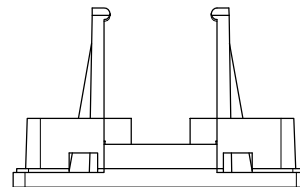
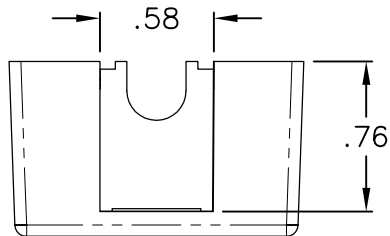
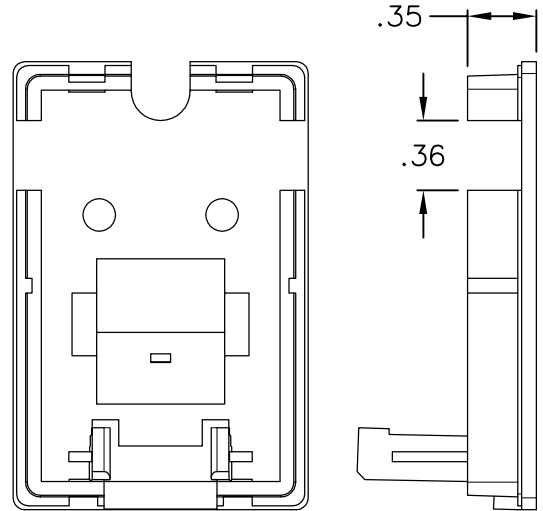
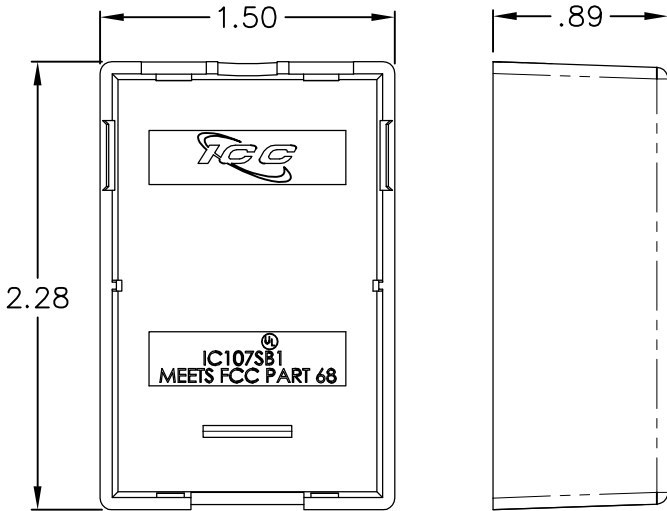
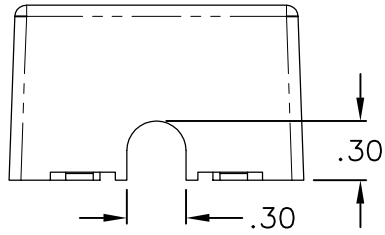
SURFACE MOUNT BOX, 1-PORT

ITEM NO.	IC107SB1XX
DWG NO.	PS107SB100

REV.	B
PAGE NO.	1



CUSTOMER CARE / TECHNICAL SUPPORT * CSR@ICC.COM / 888-ASK-4-ICC (275-4422) * 2100 E. Valencia Dr, Suite D, Fullerton, CA 92831 * www.icc.com




COVER

BASE

NOTE: UNLESS OTHERWISE SPECIFIED

1. MATERIAL: ABS, UL 94V-0
2. COLOR: XX: BK-BLACK, GY-GRAY, IV-IVORY, & WH-WHITE

UL US FILE NO. 125268

SURFACE MOUNT BOX, 1-PORT		 <i>PremiumProducts</i> <i>ProvenPerformance</i> <i>CompetitivePrices</i>	
ITEM NO.	IC107SB1XX		REV. B
DWG NO.	PS107SB100	PAGE NO.	2

CUSTOMER CARE / TECHNICAL SUPPORT * CSR@ICC.COM / 888-ASK-4-ICC (275-4422) * 2100 E. Valencia Dr, Suite D, Fullerton, CA 92831 * www.icc.com