

APPLICATION and PERFORMANCE SPECIFICATION

Description: High frequency electronic ballast for (4/3) F32T8, (4/3) F32T8ES, (4/3) F32T8ES-25W, (4/3) F28T8, (4) F40T8, (4) F25T8, and (4) F17T8. Also equivalent U-shaped lamps.

- Line Voltage: 108vac - 305vac, 50/60Hz
- Instant Start
- Parallel Lamp Operation

Lamp		Volts	Input Watts	Nominal Line Amps	Power Factor	Ballast Factor	Ballast Efficacy Factor	Harmonic Total	Crest Factor
Type	#								
F32T8	4	120	109	0.91	> .99	.87	0.80	< 10%	< 1.7
F32T8	4	277	106	0.38	> .99	.87	0.82	< 10%	< 1.7
F32T8	3	120	89	0.74	> .99	.94	1.06	< 10%	< 1.7
F32T8	3	277	87	0.32	> .98	.94	1.08	< 10%	< 1.7
F32T8ES	4	120	103	0.85	> .99	.87	0.84	< 10%	< 1.7
F32T8ES	4	277	100	0.36	> .98	.87	0.87	< 10%	< 1.7
F32T8ES	3	120	84	0.70	> .98	.96	1.14	< 10%	< 1.7
F32T8ES	3	277	82	0.30	> .98	.96	1.17	< 10%	< 1.7
F32T8ES (25W)	4	120	87	0.73	> .99	.87	1.00	< 10%	< 1.7
F32T8ES (25W)	4	277	85	0.31	> .98	.87	1.02	< 10%	< 1.7
F32T8ES (25W)	3	120	72	0.60	> .99	.96	1.33	< 10%	< 1.7
F32T8ES (25W)	3	277	71	0.26	> .95	.96	1.35	< 10%	< 1.7
F28T8	4	120	97	0.77	> .99	.87	0.90	< 10%	< 1.7
F28T8	4	277	94	0.33	> .98	.87	0.93	< 10%	< 1.7
F28T8	3	120	77	0.64	> .99	.96	1.25	< 10%	< 1.7
F28T8	3	277	75	0.28	> .98	.96	1.28	< 10%	< 1.7
F25T8	4	120	87	0.72	> .99	.89	1.02	< 10%	< 1.7
F25T8	4	277	85	0.31	> .98	.89	1.05	< 10%	< 1.7
F17T8	4	120	59	0.49	> .98	.90	1.53	< 10%	< 1.7
F17T8	4	277	58	0.22	> .95	.90	1.55	< 10%	< 1.7
F40T8	3	120	111	0.93	> .99	.96	0.86	< 10%	< 1.7
F40T8	3	277	107	0.39	> .98	.96	0.90	< 10%	< 1.7

Application and Performance Specification Information Subject to Change without Notification.

Performance:

- Meets ANSI Standard C82.11-1993
- Meets ANSI Standard C62.41-1991
- Meets FCC Part 18 (Class A) for EMI and RFI Non-Consumer Limits
- Anti-striation circuitry

Safety:

- No PCB's
- cUL_{US} listed (Class P, Type 1 Outdoor, Type HL)

Application:

- Minimum Starting Temperature: 0°F, -18° C
For ES & 28W Lamps: 60° F, 16° C
- Maximum Ambient Temperature: 105° F, 40° C
- Sound Rated: A
- Remote Mounting: 20 ft. max. lead length, 18 AWG
For ES Lamps: 6 ft. max. lead length, 18AWG

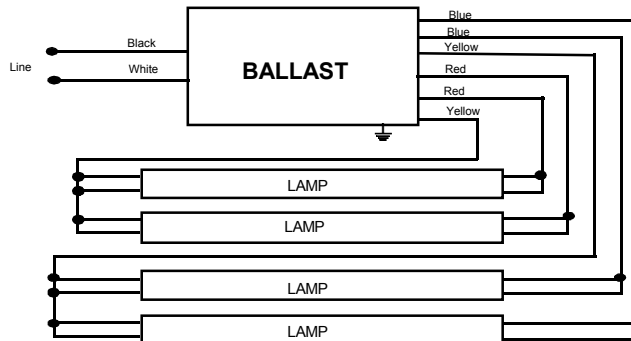
Physical Parameters:

- Length: 9.50"
- Width: 1.70"
- Height: 1.18"
- Weight: 1.7 lbs.
- Lead Length: White, Black 25" (± 1")
Red & Blue 31" (± 1")
Yellow 45" (± 1")

Warranty:

Universal Lighting Technologies warrants to the purchaser that each electronic ballast will be free from defects in material or workmanship for a period of 5 years from date of manufacture when properly installed and under normal conditions of use. Call **1-800-BALLASTx800** for technical assistance.

Manufactured in North America



Note: For three lamp operation, cap any blue lead, insulate to 600 volts

Ballast Must be Grounded