



TECHBRITE™

Saving energy in the best possible LIGHT

Retro—Lay-In Troffer

Applications

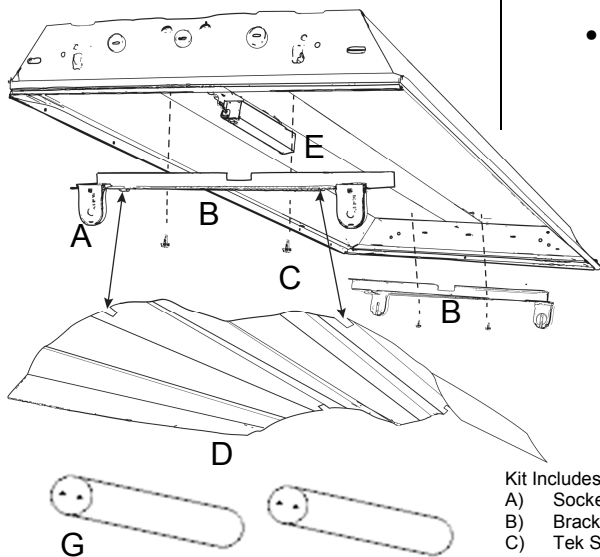
- Office
- Schools
- Universities
- Fitness Rooms
- Hospitals

Features

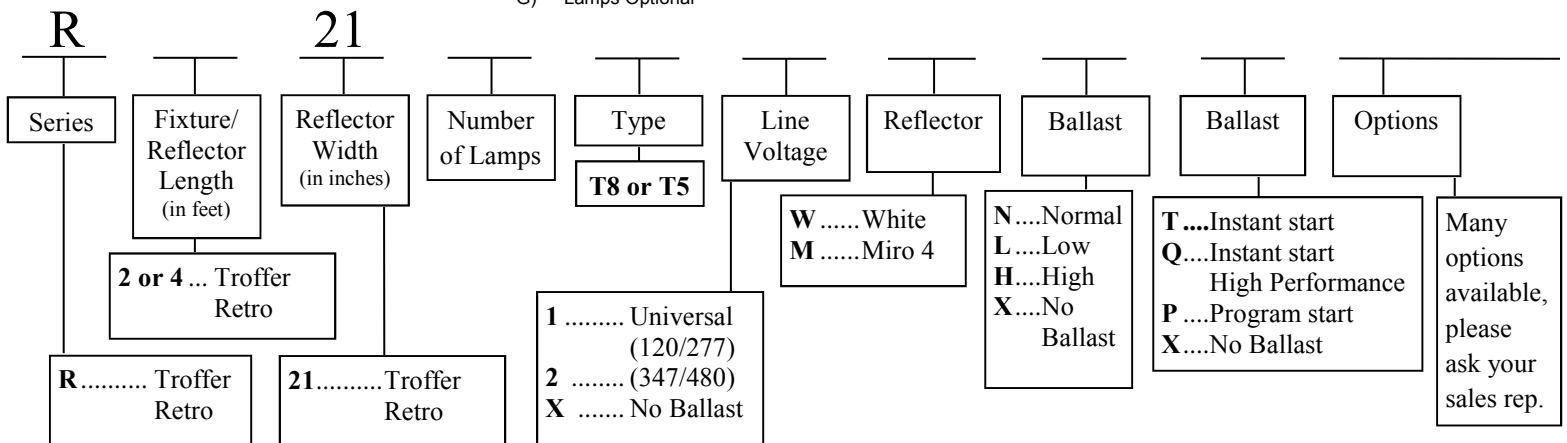
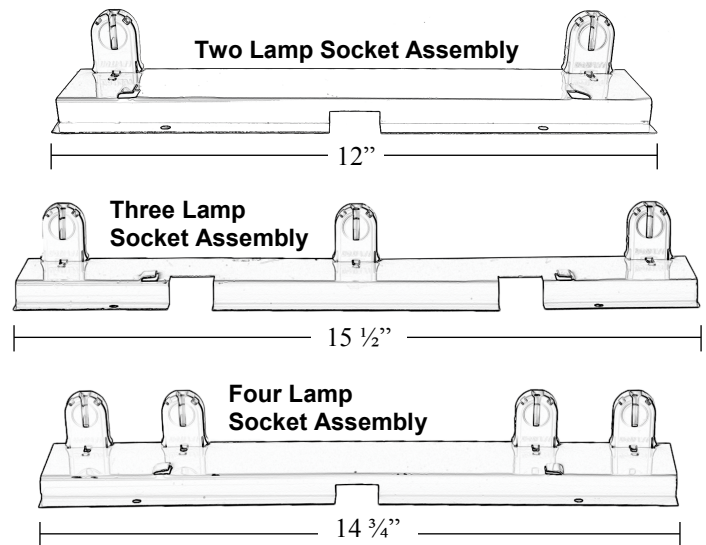
- White Reflector—92% Reflectivity
- Miro® 4 Reflector — 95% Reflectivity
- Available in 2x2 & 2x4 — 2, 3, and 4 lamp options
- Pinch fit reflector for quick installation
- Kit includes: reflector, sockets, socket bars, mounting screws
- Optional Ballast and Lamps
- Ask for “PreWire” and we do the wiring for you!



Proudly made in the U.S.A



- Kit Includes:
- A) Sockets
 - B) Brackets
 - C) Tek Screws(4 per kit)
 - D) Reflector
 - E) Ballast
 - F) Ballast Disconnect (not pictured)
 - G) Lamps Optional



1000 Kieley Place., Cincinnati OH 45217

513-772-5070 office

513-252-0590 fax

www.techbrite.com

*Input wattage calculated using ballast manufacturer data in an open-air lamp application.

*Actual fixture wattage may vary based upon a variety of factors including: ballast factor; lamp wattage; input line voltage; ballast manufacturer; and/or environmental temperature.