



**TECHBRITE™**

Saving energy in the best possible LIGHT

# Retro Strip—LED Tubes



Proudly made in the U.S.A

## Applications

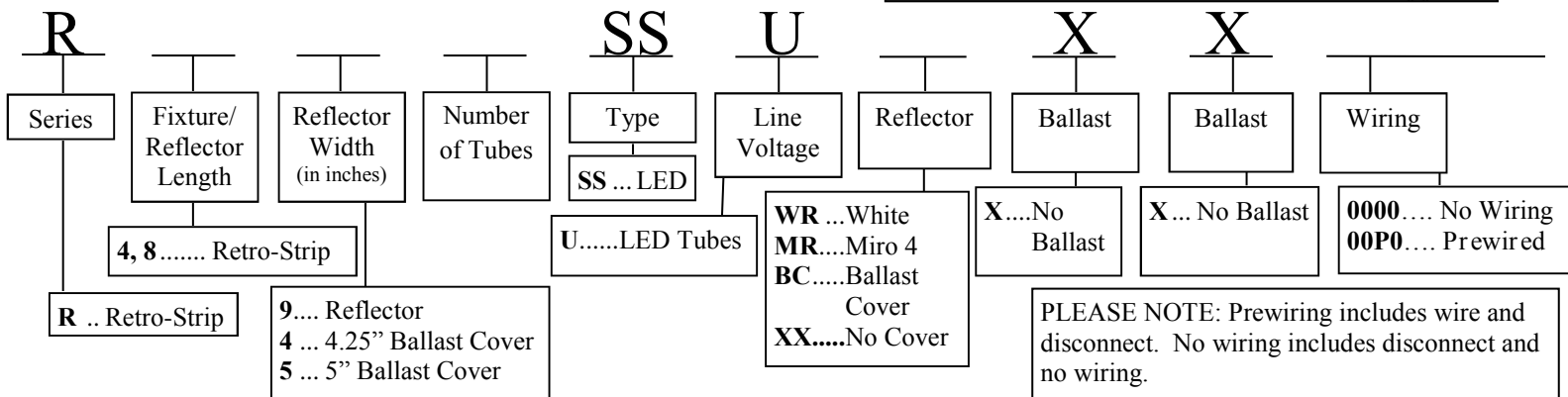
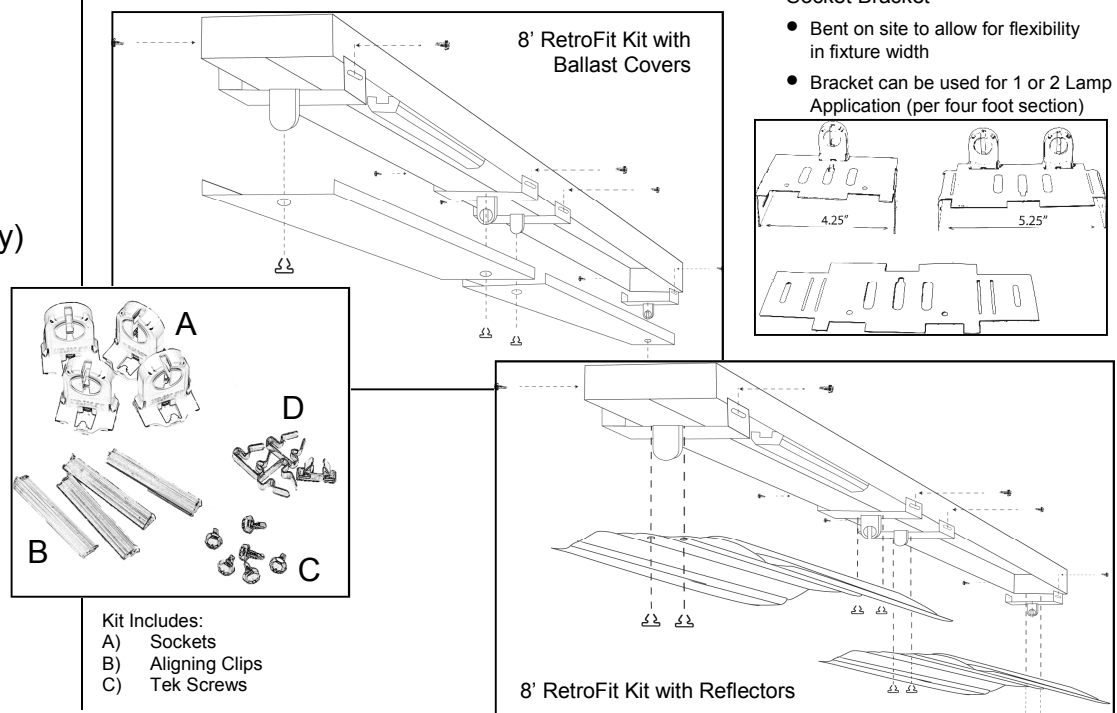
- Warehouses
- Industrial
- Garages
- Retail

## Kit Includes

- Tek Screws
- Quarter Turns
- Aligning Clips (Reflector Kit Only)
- Sockets
- Brackets
- Reflectors or Ballast Covers

## Features

- Easily convert existing fixtures
- Energy & operational savings
- Kits for 4' and 8' fixtures
- T8 Led Tubes
- Improved light levels
- Ballast Cover, White or Miro® 4 reflector
- White Reflector—92% Reflectivity
- Miro® 4 Reflector —95% Reflectivity
- One piece socket bracket



1000 Kieley Place., Cincinnati OH 45217

513-772-5070 office

513-252-0590 fax

[www.techbrite.com](http://www.techbrite.com)

\*Input wattage calculated using ballast manufacturer data in an open-air lamp application.

\*Actual fixture wattage may vary based upon a variety of factors including: ballast factor; lamp wattage; input line voltage; ballast manufacturer; and/or environmental temperature.