

41084-FTF

Tamper Resistant Receptacles



Brand Features

Nickel or gold-plated female-to-female 75 ohm connector features screw-on front and rear connections. Pass through design applications: TV, VCR, DVD, satellite, and home theater. Cable: coaxial cable terminated with "F" plugs. QuickPort F-Type Adapters snap into any QuickPort housing, including flush- and surface-mount outlets, Multimedia Outlet System (with adapter), Decora® Inserts, patch panels, and patch blocks.

Item Description

Feedthrough QuickPort F-Connector, Nickel Plated, Light Almond Housing

Technical Information

Environmental Specifications

Flammability: Rated UL94V-0

Material Specifications

Contact Surface Material: Nickel-Plated

Body Material: High-Impact Fire-Retardant Plastic

Body Color: Light Almond

Mechanical Specifications

Position / Conductor: Female to Female

Termination Type: Screw-On Front and Rear F Plugs

Cable Type: RG-6 RG-59 Coaxial

Standards and Certifications

UL: Certified

NEC: Article 800 Compliant

FCC: Part 68 Compliant

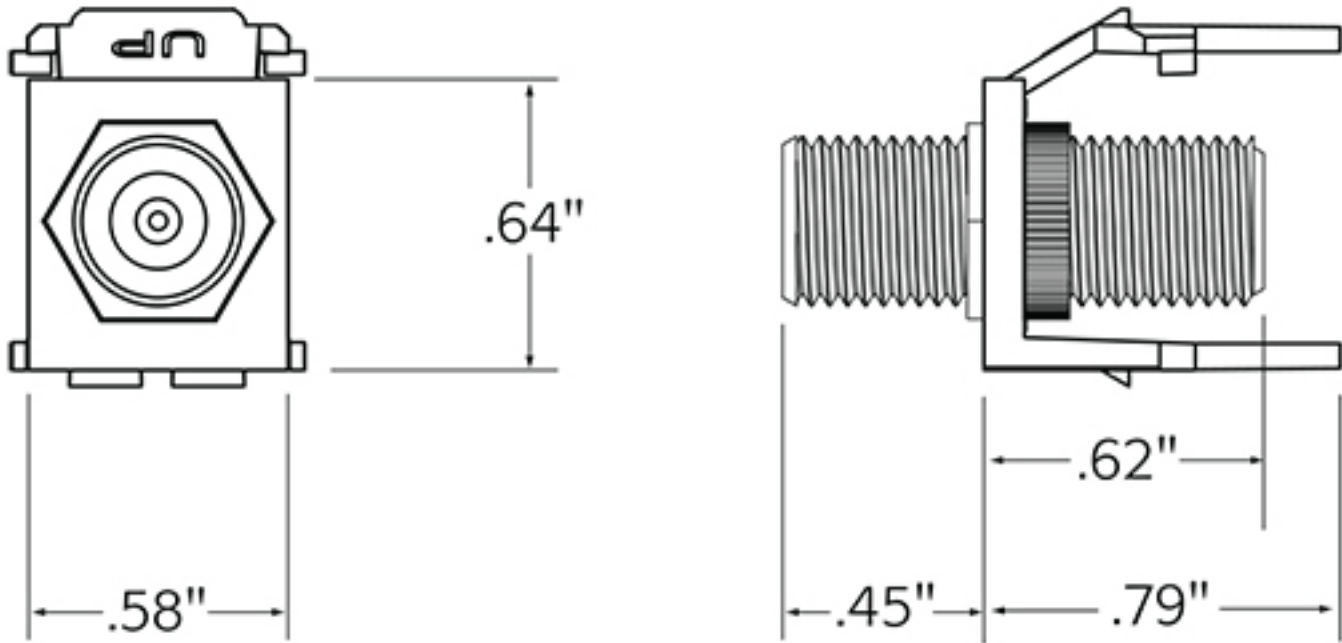
UPC Code: 07847727945

Country of Origin: Taiwan - *Eligible for
ARRA funded projects > \$7,443,000



Features and Benefits

- Compatible with all QuickPort wallplates and housings
- Frequency range equals DC-3.0 GHz
- Female-female adapter for quick screw-on connections
- 360-degree gold-plated seizing pin
- 75 ohm impedance



SPECIFICATION SUBMITTAL

JOB NAME:		CATALOG NUMBERS:	
<input type="text"/>		<input type="text"/>	<input type="text"/>
JOB NUMBER:		<input type="text"/>	<input type="text"/>

Leviton Manufacturing Co., Inc.
 201 North Service Road, Melville, NY 11747
 Telephone: 1-800-323-8920 · FAX: 1-800-832-9538 · Tech Line (8:30AM-7:30PM E.S.T. Monday-Friday): 1-800-824-3005

Leviton Manufacturing of Canada, Ltd.
 165 Hymus Boulevard, Pointe Claire, Quebec H9R 1E9 · Telephone: 1-800-469-7890 ·
 FAX: 1-800-824-3005 · www.leviton.com/canada

Leviton S. de R.L. de C.V.
 Lago Tana 43, Mexico DF, Mexico CP 11290 · Tel.: (+52)55-5082-1040 · FAX: (+52)5386-1797 · www.leviton.com.mx

Visit our Website at: www.leviton.com
 © 2012-2016 Leviton Manufacturing Co., Inc. All rights reserved. Subject to change without notice.



Leviton has a global presence.
 If you would like to know where your local Leviton office is located please go to: www.leviton.com/international/contacts/

**Buy American Compliant Logo -- The American Recovery And Reinvestment Act of 2009 ("ARRA") provides federal grants and loans for projects throughout the country. Section 1605 of the Act, named the "Buy American" provision, requires that certain materials and manufactured products used in projects funded by the Act be manufactured in the United States. The appearance of the Recovery Act Logo in relation to a Leviton product is only intended to reflect that such product may be used in an ARRA funded project. It does not mean that such product or Leviton is sponsored or endorsed by, or that Leviton receives funds from, the federal government or the Recovery Accountability and Transparency Board. Nothing in Leviton's use of the logo is intended to suggest anything regarding the requirements for funding under ARRA.*