

# Technical Data Sheet



## Catalog No. K1XGF12-1.5

| Characteristics |          |
|-----------------|----------|
| Phase           | 1        |
| KVA             | 1.5      |
| Primary         | 120X240V |
| Secondary       | 12/24V   |
| Conductor       | Copper   |
| Temp. Rise      | 115° C   |
| Frequency       | 60 HZ    |
| Taps            | None     |
| ESS             | No       |
| Insulation      | 180° C   |
| Weathershield   | N/A      |
| Wall Bracket    | Built-In |
| Weight(lbs)     | 45       |
| Sound(dB)       | 40       |

**Notes**

All units are UL listed and are designed in accordance with applicable NEMA, ANSI and IEEE standards.

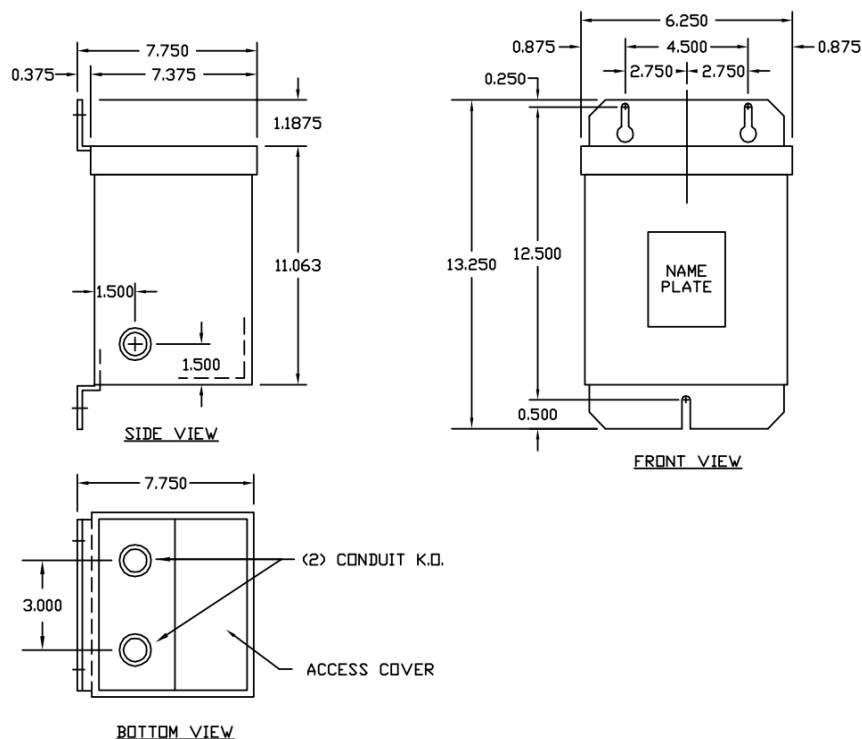
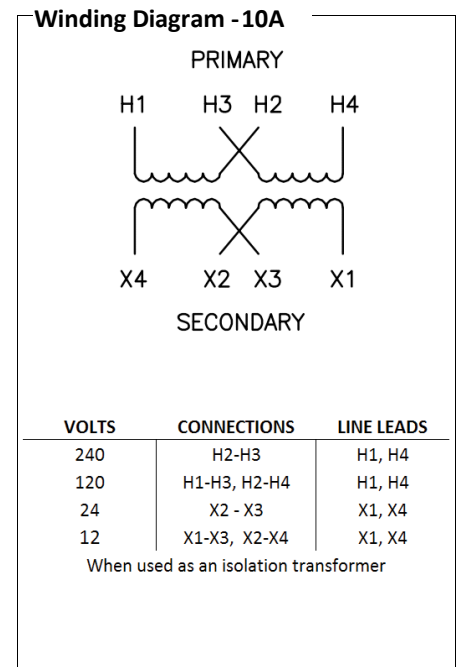
Transformers are dry-type AA, non-ventilated NEMA 3R enclosure.

Transformers are wall mounted. Wall mounting bracket is built into the enclosure.

Paint color is ANSI 61.

**AMP Ratings**

|                               |        |
|-------------------------------|--------|
| <b>Line In (Load) @ 120V</b>  | 12.5A  |
| <b>Line In (Load) @ 240V</b>  | 6.3A   |
| <b>Load (Secondary) @ 12V</b> | 125.0A |
| <b>Load (Secondary) @ 24V</b> | 62.5A  |



Outline No: 05A1464