



# Power Flood Pro

**PFXL126LED** 126 Watt LED Power Flood



## SPECIFICATIONS:

**Lumens:** 11,160  
**Watts:** 123.7  
**Lumens/Watt:** 90  
**CRI:** 71  
**CCT:** 3909  
**Lifespan:** 100,000+ hrs.

### Construction:

Designed for commercial and industrial applications, providing cooler operating temperatures, brighter light and longer LED life. Apertures for field or factory installed photocontrol. Available with heavy duty trunion or slipfitter.

### Optics:

Atlas Power Flood Pro fixtures utilize individual lenses for maximum light intensity. These lenses are made of optical grade acrylic. This guarantees more footcandles, less glare and less wasted light.

### Thermal Management:

Atlas Power Flood Pro fixtures are designed as a complete system to optimize LED life and light output. The Patent Pending thermal stacking heat removal technology extracts heat from within the housing moving it away from LEDs and components. The lower temperatures result in long LED life (100,000+ hrs) and component life and also allows for higher light output.

### Listings:

Luminaire is certified to UL Standards for Wet Locations Lighting Facts Certified DesignLights Consortium qualified luminaire, eligible for rebates from DLC member utilities.

### AC Input:

120/208/240/277 V

### Driver:

Constant current, Class 2, 120-277 VAC, 50-60 Hz  
High Efficiency – min. 88%  
Off-State Power: 0 Watts  
Dimming 10-100%

### LEDs:

4100K CCT  
Delivers 70% or greater of initial lumens at 100,000 hours  
Epoxy Guard™ protective conformal coated boards

Atlas LEDs provide higher lumen output, greater energy efficiency and more reliable fixture performance. They are tested and binned at 700mA which is the actual operating current used in Atlas LED luminaires, giving a better representation of actual performance.

### Reduced Glare:

Positioning of the LED modules within the housing result in light directed to desired locations and reduces offensive light.

### Testing:

Atlas LED luminaires have been tested by an independent laboratory in accordance with IESNA LM-79 & LM-80.

### Warranty:

Five-year limited warranty

### Photo Control:

For factory installed 120V button photo control add suffix PC to part number.

### Weight:

(with Trunion) 30 lbs. / (with Slipfitter) 31 lbs.

## Project Information

Job Name

Fixture Type 126 Watt LED Power Flood

Catalog Number PFXL126LED

Approved by

**Alpha Series LED**  
PROFESSIONAL GRADE

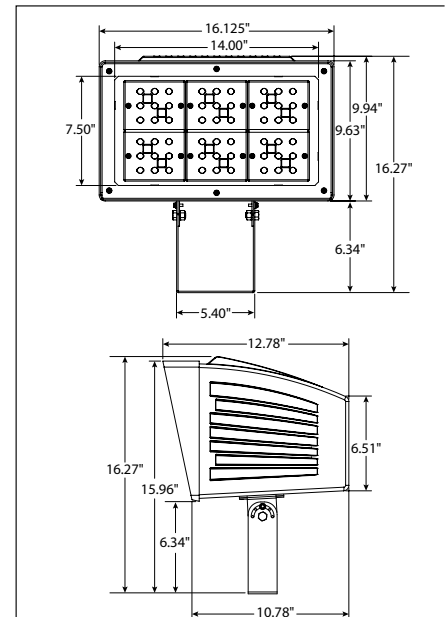


Patent Pending



Optional Factory Installed Slipfitter  
PFXL126LEDS

## DIMENSIONS:



**Rebates and Incentives are available in many areas. Contact an Atlas Representative for more information.**

**ATLAS LIGHTING PRODUCTS, INC.**

PO BOX 2348 | BURLINGTON, NC 27216

800-849-8485 | FAX: 336-227-0110 | www.atlasled.com

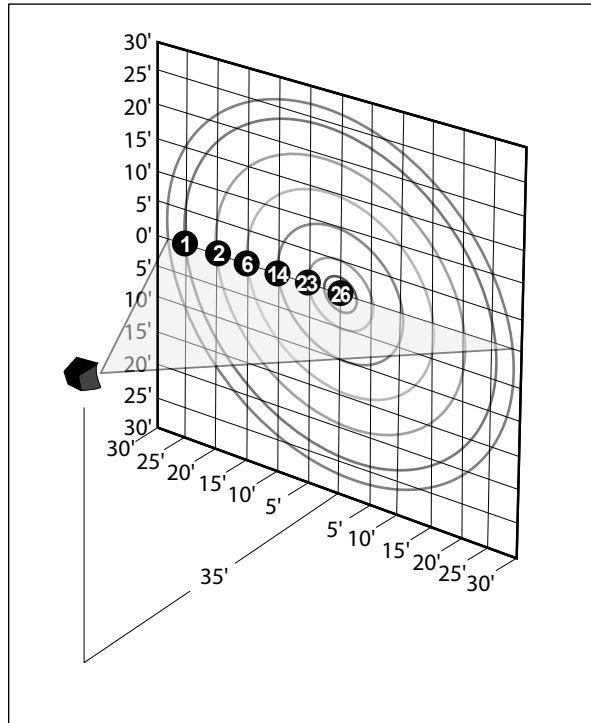
Made in the USA of US and imported parts. Meets Buy American requirements within the ARRA.



# Power Flood Pro

**PFXL126LED** 126 Watt LED Power Flood

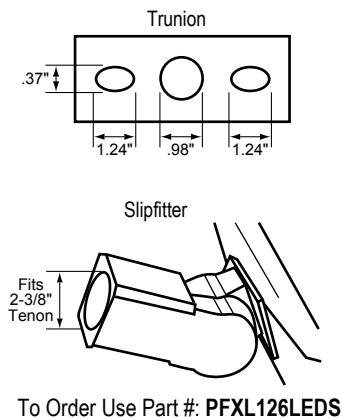
## PHOTOMETRIC



## ENERGY SAVINGS

LED		HID			ANNUAL SAVINGS
WATTAGE	ANNUAL COST	SOURCE WATTAGE	TOTAL WATTAGE USED	ANNUAL COST	
126	\$55	200	232	\$128	\$73
126	\$55	250	285	\$150	\$95
126	\$55	400	458	\$226	\$171

## MOUNTING DETAIL



Atlas Lighting Products

**lighting facts**<sup>®</sup>  
A Program of the U.S. DOE

<b>Light Output (Lumens)</b>	<b>11160</b>
<b>Watts</b>	<b>123.7</b>
<b>Lumens per Watt (Efficacy)</b>	<b>90</b>
<hr/>	
<b>Color Accuracy</b>	<b>71</b>
Color Rendering Index (CRI)	
<hr/>	
<b>Light Color</b>	<b>3909 (Bright White)</b>
Correlated Color Temperature (CCT)	
Warm White	Bright White
2700K	4500K
3000K	6500K
Daylight	
<small>All results are according to IESNA LM-79-2008: <i>Approved Method for the Electrical and Photometric Testing of Solid-State Lighting</i>. The U.S. Department of Energy (DOE) verifies product test data and results.</small>	
<b>Visit <a href="http://www.lightingfacts.com">www.lightingfacts.com</a> for the <i>Label Reference Guide</i>.</b>	
<small>Registration Number: PRB4-WH1P8G (3/6/2014)</small>	
<small>Model Number: PFXL126LED</small>	
<small>Type: Luminaire - Directional</small>	

**ATLAS LIGHTING PRODUCTS, INC.**

PO BOX 2348 | BURLINGTON, NC 27216

800-849-8485 | FAX: 336-227-0110 | [www.atlasled.com](http://www.atlasled.com)

Made in the USA of US and imported parts. Meets Buy American requirements within the ARRA.