

Straight Blade Devices
 15A, 125V, 2 Pole, 3 Wire Grounding
 HBL® Extra Heavy Duty Hospital Grade
 Duplex Receptacle

HUBBELL

Features

- Deep body design with circuit ID face
- Back wired ground terminal allows faster, easier installation
- Unique bypass contact design

Ordering Information

Description	Device Color	UPC	Catalog Number
Deep body design with circuit ID face. Back and side wired.	Red	783585247526	HBL8200RED

Listings

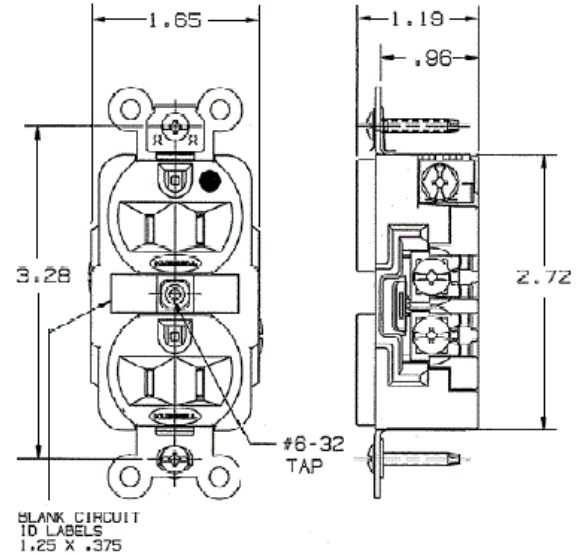
UL Listed to UL498 File No. E2186
 Certified to CSA 22.2, No. 42 File 285
 Fed. Spec. W-C-596
 NEMA® WD-6 Compliant

Specifications

Face	Nylon
Base	PBT
By-Pass Power Contacts	.036" (.9) Nickel plated brass
Ground Contacts	Brass
Clamping Plate	Nickel plated brass
Terminal Screws	Plated brass
Mounting Strap	Nickel plated brass
Automatic Self-grounding Clip	Stainless steel
Mounting Screws	Stainless steel

Performance

Electrical	
Current Interrupting	Certified for current interrupting at full rated current
Dielectric Voltage	Withstands 2,000V minimum
Mechanical	
Product Identification	Ratings are a permanent part of the device
Terminal Accommodation	#14-#10 AWG copper stranded or solid conductor only
Terminal Identification	Terminals identified in accordance with UL 498 and CSA
Environmental	
Flammability	UL 94 V-0
Operating Temperatures	Maximum continuous 75°C; minimum -40°C (w/o impact)



Accessories

Wallplate or Weatherproof Cover Duplex Opening

Resources

Customer Use Drawing
 eCatalog

Dimensions in Inches (mm)

Hubbell Wiring Device-Kellems • Hubbell Incorporated (Delaware) • 40 Waterview Drive • Shelton, CT 06484

Phone (800) 288-6000 • Fax (800) 255-1031 • Specifications subject to change without notice.

