



Catalog Number: 1212120-GSC3R-NK
Item Description: N3R SCREW CVR GUTTER NK
UPC Code: 784572161221

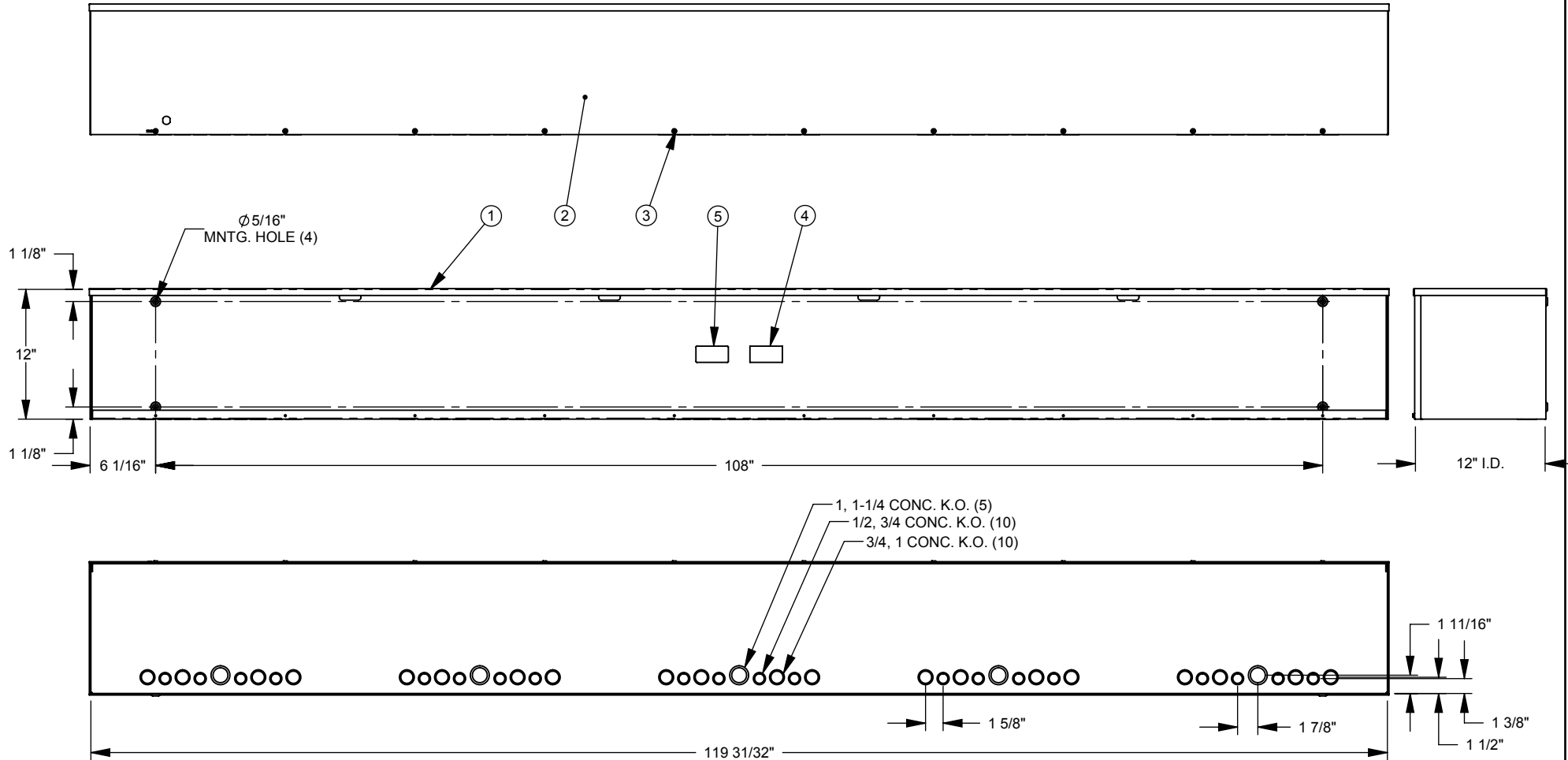
Brand Name: Milbank
Type: Wiring Trough
Special Features: Key Locking Cylinder Latch Provision,
Sealing Eye Lance
Application: Wireway
Standard: UL Listed, Type 3R
Cover Type: Screw Cover
Enclosure: Outdoor Enclosure
Nominal Cross Section: 12x12
Straight Section Length: 120
Material: Steel with Powder Coat Finish
Finish: ANSI 61 Gray
Knockouts: False



Utility requirements may vary. Always consult the serving utility for their requirements prior to ordering or installing this equipment. This product must always be installed by a licensed electrician. Installation of this equipment may require local electrical inspector approval.

CAT. NO.	U/L LABEL
1212120-GSC3R(-)	1002943
RC-1212120-GSC3R(-)	1125051


ITEM	QTY.	PART NUMBER	DESCRIPTION
1	1	(SEE CHART)	BACK WELDMENT
2	1	(SEE CHART)	FRONT
3	10	1001290	SCREW, 10-32 X 5/16
4	1	1002884	LABEL RATING
5	1	(SEE CHART)	UL LABEL, WIREWAY



SUFFIX	FINISH	WELDMNT NO.	FRONT NO.	INSTALL KOs
NONE	MILBANK LIGHT GRAY	1004506	1004598	YES
-NP	NONE	1160886	1006287	
-NK	MILBANK LIGHT GRAY	1004507	1004598	NO
-NK-NP	NONE	1160887	1006287	

NEMA DWG.: #810

REV.	DATE	DESCRIPTION	BY
B2	9/11/12	MATERIAL WAS 16 GA.; REDRAW INTO SOLIDWORKS; UPDATE K.O. PATTERN (ECO #22909)	D.F.

Material:	14 GA. GALV. STEEL	 <p>General Offices: Kansas City, MO</p>	
Shear/ Die#:			
Finish:	SEE CHART		
Part Wt.:			
Tolerances:	Third Angle	Title:	SCREW COVER WIREWAY NEMA TYPE 3R
Unless Specified Otherwise	X.X ±.1	Catalog No.:	SEE CHART
X.XX ±.03	X.XXX ±.015	Customer:	
X* ±2*		Drawing No.:	1001598
Scale:	NTS	Checked By:	
Drawn By:	D.F.	Approved By:	
Date:	9/11/12	Sheet	1 of 1