



Accessorize your LFLED with a NEMA Type: 3H x 3V or 3H x 2V spot lens.

Color: Bronze

Weight: 0.3 lbs

**Project:**

**Type:**

**Prepared By:**

**Date:**

**Driver Info**

Type: Constant Current  
 120V: N/A  
 208V: N/A  
 240V: N/A  
 277V: N/A  
 Input Watts: 0W  
 Efficiency: N/A

**LED Info**

Watts: 0W  
 Color Temp: N/A  
 Color Accuracy: N/A  
 L70 Lifespan: N/A  
 Lumens: N/A  
 Efficacy: N/A

## Technical Specifications

**Listings**

**UL listing:**

Suitable for wet locations. Suitable for ground mounting.

**Construction**

**Lens:**

Microprismatic diffusion lens for smooth and even light distribution

**Housing:**

Precision die-cast aluminum housing

**Finish:**

Formulated for high-durability and long lasting color

**Other**

**Compatibility:**

Compatible with and

**Equivalency:**

Equivalent to 50W MR16

**Buy American Act Compliance:**

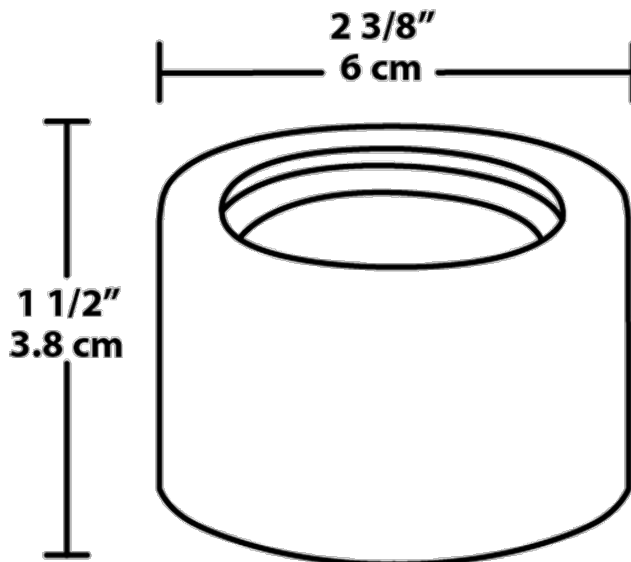
RAB values USA manufacturing! Upon request, RAB may be able to manufacture this product to be compliant with the Buy American Act (BAA). Please contact customer service to request a quote for the product to be made BAA compliant.

**Optical**

**LSLFLED with NEMA Type:**

Spot lens has a NEMA Type 3H x 3V

**Dimensions**



**Features**

- Microprismatic diffusion lens for smooth and even light distribution
- Precision die-cast aluminum housing
- 5-Year, No-Compromise Warranty

**Ordering Matrix**

Family	Wattage	Finish
LSLFLED		

**B** = Black  
**VG** = Verde Green  
**BR** = Brass