

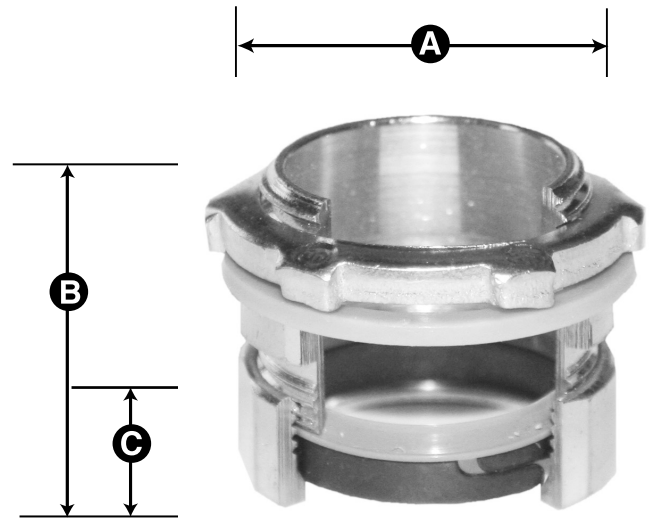


Made in the USA Since 1946

EMT CONDUIT:
EMT Connectors: Compression Type / Raintight
Size Range: 1/2" to 4"

EMT Connectors Compression Type/Raintight

- Rain and Concrete Tight 1/2" to 4"
- For use in wet locations to ground and secure EMT raceway boxes and enclosures
- Connector utilizes internal and external sealing rings to prevent entrance of water or moisture
- Screw machined steel, zinc plated



Cat. #	Size	Unit Ctn	Std Pkg	WT/ 100
EC750USRT	1/2"	50	250	8
EC751USRT	3/4"	25	250	12
EC752USRT	1"	20	100	19
EC753USRT	1-1/4"	5	50	30
EC754USRT	1-1/2"	5	25	46
EC755USRT	2"	5	25	55
EC756USRT	2 1/2"	-	5	217
EC757USRT	3"	-	3	260
EC758USRT	3 1/2"	-	3	332
EC759USRT	4"	-	2	377

Dimensional Table

Cat. #	A Diameter	B Length	C Length of Thread
EC750USRT	1.750	1.250	.406
EC751USRT	1.813	1.563	.406
EC752USRT	2.000	1.813	.406
EC753USRT	2.750	2.188	.500
EC754USRT	3.000	2.438	.500
EC755USRT	3.188	2.938	.688

With Insulated Throat

Cat. #	Size	Unit Ctn	Std Pkg	WT/ 100
EC750BUSRT	1/2"	50	250	8
EC751BUSRT	3/4"	25	250	12
EC752BUSRT	1"	20	100	19
EC753BUSRT	1-1/4"	5	50	30
EC754BUSRT	1-1/2"	5	25	46
EC755BUSRT	2"	5	25	55
EC756BUSRT	2 1/2"	-	5	217
EC757BUSRT	3"	-	3	260
EC758BUSRT	3 1/2"	-	3	332
EC759BUSRT	4"	-	2	377

Flexible Cord