

EATON - METALUX® AP SERIES

DESCRIPTION

SHPLD is a durable, versatile LED shoplight suitable for a wide variety of applications. This suspended product line comes fully assembled with an easy on/off pull chain and 5 ft cord plug set. This high quality luminaire offers the latest LED solid state lighting and electronic driver technology for optimal performance and energy efficiency. With fully integrated LEDs, these shoplights require no lamps to install or replace and is covered by a comprehensive five year warranty. Similar to a 4 ft. 2 lamp fluorescent fixture, it is ideal for most any task or portable lighting applications.

Catalog #		Type
Project		
Comments		Date
Prepared by		

SPECIFICATION FEATURES

Construction

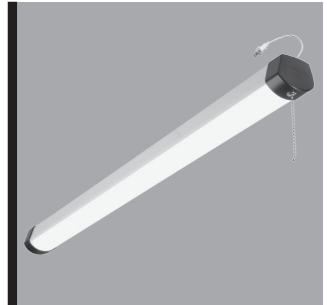
Housing consists of impact resistant acrylic. Ends formed using a high-impact polymer plastic for finished design. Suitable for suspended mount applications. The frost white lens creates uniform illumination. Includes 36 inch hang chain and two "S" hooks for suspending at various heights.

Electrical

Long-Life fully integrated LED system coupled with low wattage 120V electronic driver to deliver optimal performance. 80 CRI and bright white 4000K Color Temp creates excellent rendering for task oriented applications. The SHPLD series offers a standard, 3200 and 2200 lumen packages.

Compliance and Reliability

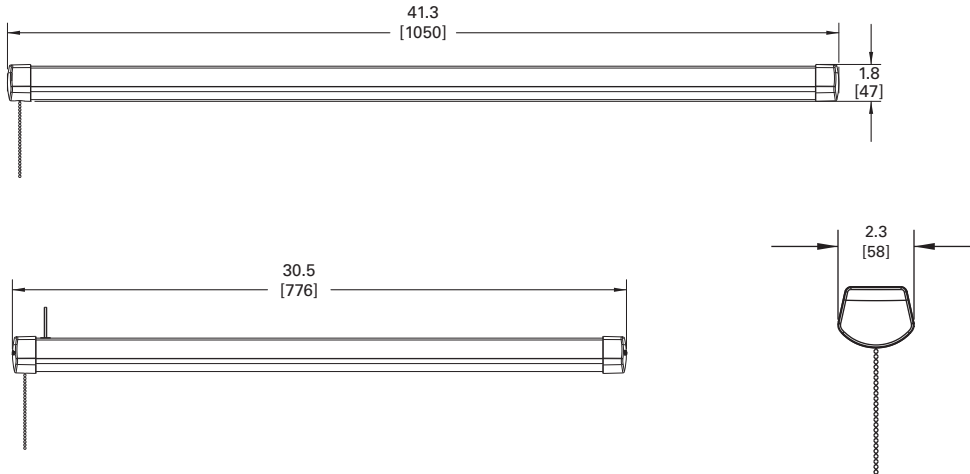
cULus 153 listed for dry locations. Five year comprehensive warranty. LED's projected life of 50,000 hours at 70% lumen output. Energy Star Certified.



SHPLD

LED Shoplight

DIMENSION



WATTAGE

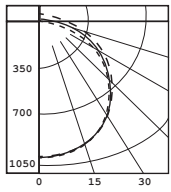
Catalog Number	Product Description	UPC	Unit Carton
4SHPLD3240R	Shoplight LED 41" 3200lm 4000K, 120V	080083750818	43.5" x 3.5" x 4.5"
4SHPLD2240R	Shoplight LED 30" 2200lm 4000K, 120V	080083750801	31" x 3.5" x 4.5"

Model	Lumens	Wattage
4SHPLD3240R	3200	32
4SHPLD2240R	2200	22



EATON - METALUX® AP SERIES

PHOTOMETRICS



4SHPLD3240R
3200 lumens

Spacing criterion:

(H) 1.3 x mounting height,

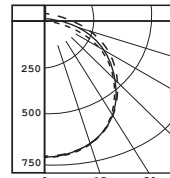
(L) 1.3 x mounting height

Efficiency 110.42%

Test Report: SP16868

Candela

Angle	Along H	45°	Across L
0	984	984	984
5	991	978	980
15	952	949	952
25	889	879	878
35	783	788	787
45	665	666	671
55	525	531	542
65	358	386	411
75	185	249	287
85	32	138	182
90	0	95	138
95	0	61	100
105	0	19	43
115	0	3	12
125	0	0	0
135	0	0	0
145	0	0	0
155	0	0	0



4SHPLD2240R
2200 lumens

Spacing criterion:

(H) 1.3 x mounting height,

(L) 1.3 x mounting height

Efficiency 97.99%

Test Report: P27288

Candela

Angle	Along H	45°	Across L
0	687	687	687
5	690	686	685
15	665	666	661
25	614	615	617
35	551	547	549
45	463	465	471
55	364	368	383
65	249	271	291
75	126	179	207
85	22	102	133
90	0	72	102
95	0	47	76
105	0	16	35
115	0	3	11
125	0	0	0
135	0	0	0
145	0	0	0
155	0	0	0
165	0	0	0

Coefficients of Utilization

rc	Effective floor cavity reflectance 20%			
	80%		70%	
rw	50	30	10	0
RCR				
0	118	118	118	115
1	101	97	92	99
2	88	80	74	85
3	77	68	61	75
4	68	58	51	66
5	60	51	44	59
6	54	45	38	53
7	49	40	34	48
8	45	36	30	44
9	41	33	27	40
10	38	30	24	37

Zonal Lumen Summary

Zone	Lumens	%Fixture
0-30	766	24.5
0-40	1256	40.2
0-60	2248	71.9
0-90	3033	97.0
0-180	3128	100.0

Coefficients of Utilization

rc	Effective floor cavity reflectance 20%			
	80%		70%	
rw	70	50	30	10
RCR				
0	118	118	118	115
1	107	101	96	92
2	96	87	80	74
3	88	76	68	61
4	80	67	58	51
5	73	60	51	44
6	68	54	45	38
7	63	49	40	34
8	58	45	36	30
9	55	41	33	27
10	51	38	30	24

Zonal Lumen Summary

Zone	Lumens	%Fixture
0-30	535	24.3
0-40	879	39.8
0-60	1572	71.3
0-90	2130	96.6
0-180	2205	100.0

LED lighting facts®
A Program of the U.S. DOE

Light Output (Lumens) 3200
Watts 31.22
Lumens per Watt (Efficacy) 102.5

Color Accuracy
Color Rendering Index (CRI) 84

Light Color
Correlated Color Temperature (CCT) 4000 (Bright White)

Warm White 2700K | Bright White 3000K | Daylight 4500K | 6500K

All results are according to IESNA LM-79-2008: Approved Method for the Electrical and Photometric Testing of Solid-State Lighting. The U.S. Department of Energy (DOE) verifies product test data and results.

Visit www.lightingfacts.com for the Label Reference Guide.

Registration Number: F4QJ-MJ4G1B (5/31/2016)
Model Number: 4SHPLD3240R
Type: Luminaire - Desk/Task

LED lighting facts®
A Program of the U.S. DOE

Light Output (Lumens) 2200
Watts 21.96
Lumens per Watt (Efficacy) 100.18

Color Accuracy
Color Rendering Index (CRI) 85

Light Color
Correlated Color Temperature (CCT) 4000 (Bright White)

Warm White 2700K | Bright White 3000K | Daylight 4500K | 6500K

All results are according to IESNA LM-79-2008: Approved Method for the Electrical and Photometric Testing of Solid-State Lighting. The U.S. Department of Energy (DOE) verifies product test data and results.

Visit www.lightingfacts.com for the Label Reference Guide.

Registration Number: F4QJ-ZEYJGV (2/22/2016)
Model Number: 4SHPLD2240R
Type: Luminaire - Desk/Task

Specifications & dimensions subject to change without notice. Consult your Cooper Lighting Representative for availability and ordering information.