

Floor Boxes
SystemOne 4" Round Recessed Floor Box
Concrete Floor Boxes

HUBBELL



Features

- Corrosion resistant for on-grade applications
- Concrete cover, conduit reducers and conduit hub plugs included

Ordering Information

Description	Device Color	UPC Number	Catalog Number
Non-Metallic, Floor Boxes	Gray	783585544656	CFBS1R4PFB

Listings

UL File Number E92074
CSA File Number LR18416

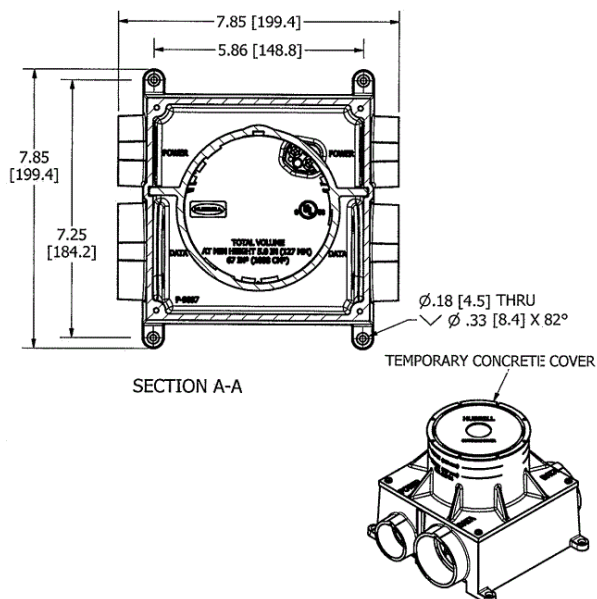
Specifications

Box Base	PVC
Box Riser	PVC
Concrete Cover	PVC
Power Entries	½", ¾", 1" & 1¼"
Data Entries	1", 1¼", 1½" & 2"

Performance

Installation Information

Cubic Inch Capacity	67.0 cu. in. (1098 cm3)
Min. Depth of Pour	5.00" (127.0)



Complementary Products

Mounting Cup (Required)	CFBS1R4CUP
-------------------------	------------

Online Resources

Customer Use Drawing
eCatalog
Installation Instructions

Dimensions in Inches (mm)

Hubbell Wiring Device-Kellems • Hubbell Incorporated (Delaware) • 40 Waterview Drive • Shelton, CT 06484

Phone (800) 288-6000 • Fax (800) 255-1031 • Specifications subject to change without notice.

