



Color: White

UPC Code: 078477762424

Country Of Origin: Mexico

NEMA:
5-20R



TDR20-S2W

Decora Plus Duplex Receptacle Outlet, Heavy-Duty Industrial Specification Grade, Two Outlets Marked "Controlled", Tamper-Resistant, Smooth Face, 20 Amp, 125 Volt, Back or Side Wire, NEMA 5-20R, 2-Pole, 3-Wire, Self-Grounding - White

Leviton offers custom imprinting solutions to meet the 2014 National Electrical Code requirements for identifying receptacles that will be automatically de-energized as part of an overall plug load control program. All 15A & 20A, 125V receptacles that are automatically controlled will be marked with a specific symbol.

Technical Information

AC Horsepower Ratings

At Rated Voltage: 1/2 HP

Electrical Specifications

Amperage: 20 A

Dielectric Voltage: Withstands 2000V per UL498

Grounding: Self-Grounding

Pole: 2

Temperature Rise: Max 30C after 250 cycles OL at 200 percent rated current

Voltage: 125 VAC

Wire: 3

Environmental Specifications

Operating Temperature: -40°C to 60°C

Material Specifications

Body Material: Nylon

Face Material: Polypropylene

Ground Clips: Brass

Grounding Screw: Plated Steel

Line Contacts: Brass Triple Wipe .031 Thick

Strap Material: Zinc-Plated Steel 0.042

Terminal Clamp: Plated Steel

Terminal Screws: Plated Steel

Mechanical Specifications

Product ID: Ratings are permanently marked on device

Terminal Accom.: 14-10 AWG

Terminal ID: Brass-Hot, Green-Ground, Silver-Neutral

Termination: Back or Side Wire

Wire Type: Solid or Stranded Building Wire

Product Features

Brand: Decora Plus

Color: White

Device Type: Duplex Receptacle Outlet

Feature: Two Outlets Marked Controlled, Tamper-Resistant, Smooth Face

Grade: Heavy-Duty Industrial Specification Grade

NEMA: 5-20R

Standards and Certifications

ANSI: C-73

Applicable Standards: UL 498, CSA C22.2 No. 42

Certification/Listing: UL, CSA, NOM-ANCE

NEMA: WD-1 & WD-6

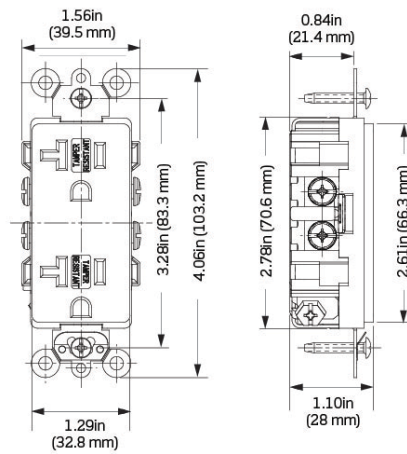
Warranty

Warranty: 10-Year Limited

Patents*

CA2483480	US6743029
CA2621644	US7355117
CA2624409	US7820909
CA2677283	US7868719
CN200880004760.2	US8242362
MX257790	US8684771
MX321216	

*This list is provided for patent marking purposes only. A good faith effort is made to maintain the accuracy and completeness of this list. No legal inference should be drawn from the omission of a patent from this list.



SPECIFICATION SUBMITTAL

JOB NAME:		CATALOG NUMBERS:	
<input type="text"/>		<input type="text"/>	
JOB NUMBER:			
<input type="text"/>		<input type="text"/>	

Leviton Manufacturing Co., Inc.

201 North Service Road, Melville, NY 11747

Telephone: +1-800-323-8920 · FAX: +1-800-832-9538 · Tech Line (8:30AM-7:30PM E.S.T. Monday-Friday):

+1-800-824-3005

Leviton Manufacturing of Canada, Ltd.

165 Hymus Boulevard, Pointe Claire, Quebec H9R 1E9 · Telephone: +1-800-469-7890 ·

FAX: +1-800-824-3005 · www.leviton.com/canada

Leviton S. de R.L. de C.V.

Lago Tana 43, Mexico DF, Mexico CP 11290 · Tel.: (+52)55-5082-1040 · FAX: (+52)5386-

1797 · www.leviton.com.mx

Visit our Website at: www.leviton.com

© 2018 Leviton Manufacturing Co., Inc. All Rights Reserved. Subject to change without notice.

Leviton has a global presence.

If you would like to know where your local Leviton office is located please go to:

www.leviton.com/international/contacts/

