



STAINLESS STEEL U-BOLTS

Features:

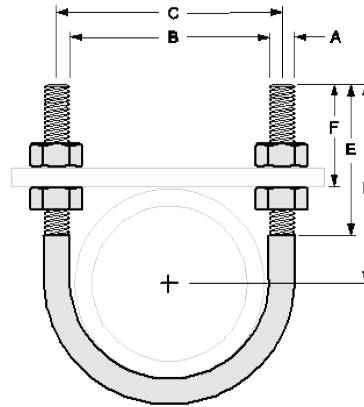
- Manufactured in type 316 stainless steel for increased corrosion resistance
Polished with standard "brite" finish to increase corrosion resistance and aesthetic appearance
- Figure 137 style
- Four type 316 stainless steel hex nuts included
- No package qty. required

Certifications and Compliances:

- Calbrite stainless steel U-Bolts are fabricated to UL and ASTM standards

Applications:

Used to mount and secure stainless and PVC coated conduit.



Industries Commonly Served:

- Food & Beverage Production
- Marine & Coastal Facilities
- Chemical Plants
- Water & Wastewater Treatment
- Pharmaceuticals & Cosmetics
- Refining & Extraction Sites
- Petrochemical Operations
- Pulp & Paper Mills
- Along with other corrosive environments

Part Number	Size	A	B	C	D	E	F	Weight each per lb
S60500UB00	1/2"	1/4"	0.955"	1.250"	2.750"	2.400"	2.313"	.10
S60700UB00	3/4"	1/4"	1.180"	1.400"	2.790"	2.520"	2.219"	.11
S61000UB00	1"	1/4"	1.400"	1.700"	2.800"	2.520"	2.094"	.12
S61200UB00	1-1/4"	3/8"	1.735"	2.150"	3.000"	2.520"	2.031"	.28
S61500UB00	1-1/2"	3/8"	2.000"	2.500"	3.050"	2.550"	2.063"	.30
S62000UB00	2"	3/8"	2.450"	2.850"	3.250"	2.550"	2.063"	.32
S62500UB00	2-1/2"	1/2"	3.000"	3.875"	3.750"	3.000"	2.250"	.68
S63000UB00	3"	1/2"	3.600"	4.200"	4.000"	3.000"	2.250"	.79
S63500UB00	3-1/2"	1/2"	4.200"	4.650"	4.250"	3.000"	2.250"	.82
S64000UB00	4"	1/2"	4.600"	5.200"	4.750"	3.050"	2.250"	.92

All dimensions are for informational purposes only *Tolerances +/- 5%