

9350



UPC Code: 07847734839

Country Of Origin: China

9350

Item Description

Medium Base, Two-Piece, Keyless, Incandescent, Unglazed Porcelain Lampholder, Ring-Type, Single Circuit, Back Wired, - White

Technical Information

Electrical Specifications

Wattage Rating: 660W

Voltage: 250 Volt

Circuit: Single Circuit

Material Specifications

Availability: Distribution

Color: White

Mechanical Specifications

Gasket Rating: 90C Dry Maximum

Access: Back Wired

Product Features

Availability: Distribution

Lamp Socket Base: Medium

Construction: Two-Piece

Body Material: Unglazed Porcelain

Warranty: 1 Year Limited

Access: Back Wired

Circuit: Single Circuit

Termination: 2-Terminal Screws

Standards and Certifications: UL/CSA

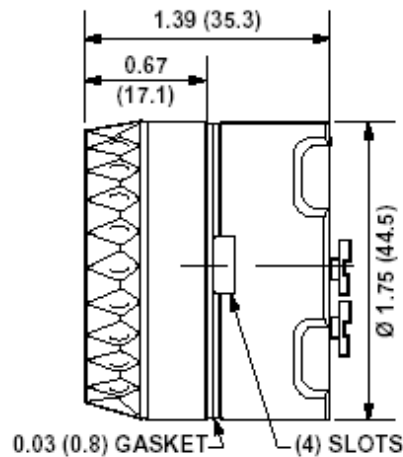
Mounting Type: Ring Type

Screw Shell Material: Copper Alloy

Standards and Certifications

UL Listed: File E3810

CSA Certified: File LR-1863



SPECIFICATION SUBMITTAL

JOB NAME:	CATALOG NUMBERS:	
<input type="text"/>	<input type="text"/>	<input type="text"/>
JOB NUMBER:	<input type="text"/>	<input type="text"/>

Leviton Manufacturing Co., Inc.

201 North Service Road, Melville, NY 11747

Teléfono: +1-800-323-8920 · FAX: +1-800-832-9538 · Tech Line (8:30AM-7:30PM E.S.T. Monday-Friday): +1-800-824-3005

Leviton Manufacturing of Canada, Ltd.

165 Hymus Boulevard, Pointe Claire, Quebec H9R 1E9 · Telephone: +1-800-469-7890 ·

FAX: +1-800-824-3005 · www.leviton.com/canada

Leviton S. de R.L. de C.V.

Lago Tana 43, Mexico DF, Mexico CP 11290 · Tel.: (+52)55-5082-1040 · FAX: (+52)5386-

1797 · www.leviton.com.mx

Visit our Website at: www.leviton.com

© 2012 Leviton Manufacturing Co., Inc. Todos los derechos reservados. Subject to change without notice.

Leviton has a global presence.

If you would like to know where your local Leviton office is located please go to:

www.leviton.com/international/contacts/

