

LED TROFFER

LT

LED

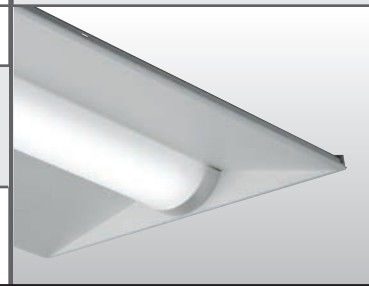
CATALOG #: _____ TYPE: _____

PROJECT: _____ NOTES: _____

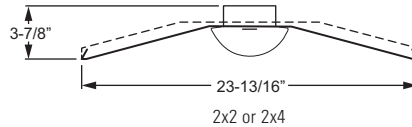
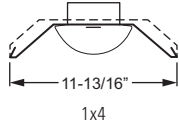
EXAMPLE

LT - 24 - L52/835 - AF - OPTIONS - DIM - UNV

SERIES NOM. NOM. W. L. LUMEN PACKAGE CRI & CCT SHIELDING OPTIONS DRIVER VOLTAGE



CROSS SECTIONS



ORDERING INFORMATION

SERIES
LT LED Troffer

NOMINAL WIDTH

1	1' (4' length only)
2	2'

NOMINAL LENGTH

2	2' (2' width only)
4	4'

LED PACKAGE

EXAMPLE: L52/835				
LUMEN PACKAGE	NOMINAL LUMENS	MINIMUM CRI & CCT	WATTAGE	
1x4				
L28	2,800	827 = 82 CRI, 2700K 830 = 82 CRI, 3000K 835 = 82 CRI, 3500K 840 = 82 CRI, 4000K 850 = 82 CRI, 5000K	21	
L47	4,700		34	
L63	6,300		49	
2x2				
L27	2,700		21	
L39	3,900		33	
L49	4,900		38	
2x4				
L40	4,000		32	
L52	5,200		37	
L64	6,400		49	
L82	8,200		64	

Nominal lumen output based on 3500 CCT. Actual lumens may vary +/-5%, see fixture performance data. Additional LED lumen packages available, see options.

SHIELDING
AF Frosted acrylic

OPTIONS

For flexible whip options, see [Technical Info](#).

EM/10W 10-watt emergency battery (120-277V only)

EQCLIPS Earthquake clips (4 per fixture; LT is compatible with Williams earthquake clips only)

(L__) Additional lower lumen packages available. Specify in increments of 100 nominal lumens. Option must be specified with next higher lumen package.
Example: 5,800 nominal lumens = LT-24-L64/840-(L58)

CP Chicago Plenum (CCEA)

ACCESSORIES

See Technical Info for [Drywall Kit](#) and [Cord Location](#) details. See page 3 for Surface Mount details.

LT-14-SMK-W Surface mount kit for LT, 1'x4', white

LT-22-SMK-W Surface mount kit for LT, 2'x2', white

LT-24-SMK-W Surface mount kit for LT, 2'x4', white

DFK-1248W Drywall kit, 12" x 48", white

DFK-2424W Drywall kit, 24" x 24", white

DFK-2448W Drywall kit, 24" x 48", white

DRIVER

Additional dimming drivers available, see [Technical Info](#).

DRV Driver prewired for non-dimming applications

DIM 10% dimming driver prewired for 0-10V low voltage applications

VOLTAGE

120	120V
277	277V
UNV	120-277V
347	347V (not available with EM drivers)

FEATURES

- ▶ Efficacies up to 140 lm/W
- ▶ Shallow housing depth
- ▶ Diffuse lens provides smooth illumination
- ▶ Proudly made in the USA



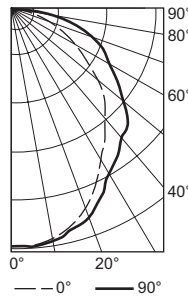
SPECIFICATIONS

Housing/Reflector – Precision die-formed 22-gauge C.R.S.
Shielding – Frosted acrylic.
Finish – Highly reflective non-glare matte white polyester powder coat bonded to phosphate-free, multi-stage pretreated metal. All parts painted after fabrication to facilitate installation, increase efficiency, and inhibit corrosion.
Electrical – High quality mid-power LED boards. L70 >50,000 hours.
Mounting – NEMA Type “G”. Surface mount and drywall kit accessories available, ordered separately.
Labels –
 ■ cCSAus certified as luminaire suitable for dry or damp locations.
 ■ City of Chicago Environmental Air approved when specified with CP option.
Warranty – 5-year limited warranty, see hew.com/warranty.

IMPORTANT:
 Electrostatic sensitive unit. Observe precautions when handling.

PHOTOMETRY

LT-24-L52/835-AF-DIM-UNV Total Luminaire Output: 5202 lumens; 37 Watts
 Efficacy: 141 lm/W | 82 CRI; 3043K CCT | IES Spacing Criteria: End: 1.1, Across: 1.2, Diagonal: 1.2



CANDLEPOWER DISTRIBUTION	Vertical Angle	Horizontal Angle			Zonal Lumens
		0°	45°	90°	
	0	1851	1851	1851	
5	1843	1844	1846	175	
15	1745	1761	1779	499	
25	1544	1589	1636	730	
35	1276	1359	1440	848	
45	1055	1193	1315	902	
55	741	902	1044	802	
65	480	667	817	647	
75	241	429	544	438	
85	70	174	159	161	
90	0	0	0		

LUMEN SUMMARY	Zone	Lumens	% Fixture
	0 - 30	1404	27
	0 - 40	2252	43
	0 - 60	3955	76
	0 - 90	5202	100
	0 - 180	5202	100

FIXTURE PERFORMANCE DATA

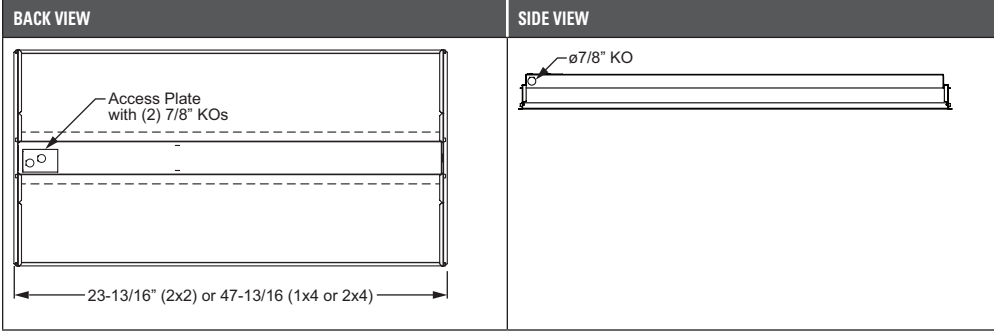
LED PACKAGE	DELIVERED LUMENS	WATTAGE	EFFICACY (lm/W)
1x4			
L28	2814	21.4	131.6
L47	4677	33.7	138.7
L63	6261	48.5	129.1
2x2			
L27	2722	21.3	127.8
L39	3934	33.1	118.7
L49	4869	38.1	127.7
2x4			
L40	3972	32.0	124.1
L52	5202	37.2	140.0
L64	6396	48.5	131.9
L82	8214	64.3	127.7

- Photometrics tested in accordance with IESNA LM-79. Results shown are based on 25°C ambient temperature.
- Wattage shown is average for 120V through 277V input.
- Results scaled based on relative CCT output.
- Use multiplier table to calculate additional options.

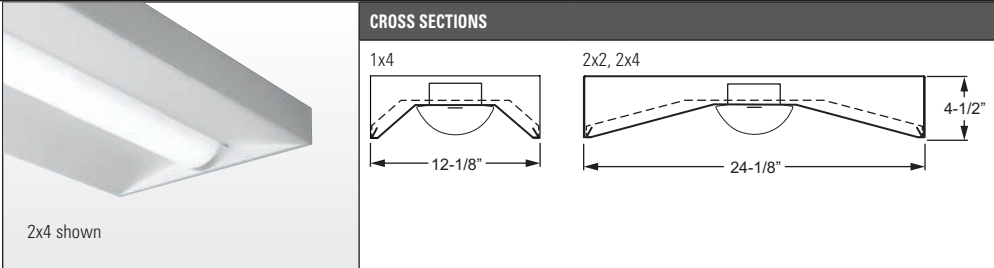
MULTIPLIER TABLE

COLOR TEMPERATURE	
CCT/CRI	CONVERSION FACTOR
2700K/80CRI	0.97
3000K/80CRI	0.99
3500K/80CRI	1.00
4000K/80CRI	1.03
5000K/80CRI	1.06

FIXTURE DETAILS



SURFACE MOUNT KIT (Shipped Separately)



BACKVIEWS

