



PRODUCT DESCRIPTION

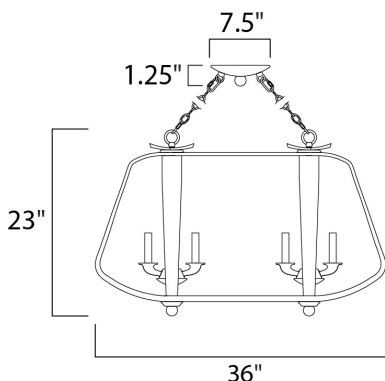
Unique pendants formed of bent wood finished in Barnwood which is a weathered and distressed look. The internal clusters and details are constructed of cast iron in a hammered pattern and finished in a natural looking Iron Ore. A excellent blend of soft shape and rustic finish allows for this collection to fit into a number of interior designs.

MEASUREMENTS

DIMENSION : 19." L x 36." W x 23." H
 BACK PLATE OAH : 63.13" OAH x 31.13" OAH
 CANOPY : 7.5" W x 1.38" H x 7.5" L
 HANGING WEIGHT : 18.26 lb

LAMPING

INPUT VOLTAGE : 120V
 LUMENS : 0 Rated
 BULB : 6 x 40W (NOT INCLUDED), 240W Total
 DIMMABLE : Dimmable



FINISHES OPTION

Barn Wood / Iron Ore BWIO

MATERIAL

Wood + Steel + Cast Aluminum

RATINGS

Dry Location
 Dimmable



ADDITIONAL

INSTALL UP/DOWN:
 OPERATING TEMPERATURE:
 -20°C (-4°F), 40°C (104°F)

Always consult a qualified electrician before installing any lighting product.



WESTERN DISTRIBUTION CENTER (HEADQUARTER)
 253 NORTH VINELAND AVE | CITY OF INDUSTRY, CA 91746
EASTERN DISTRIBUTION CENTER
 4200 SHIRLEY DR. | ATLANTA, GA 30336
 P. 626.956.4200 | F. 626.956.4225 | maximlighting.com