

ET647W, ET647CP ET647BZ, ET647B ET647N

Mini Universal

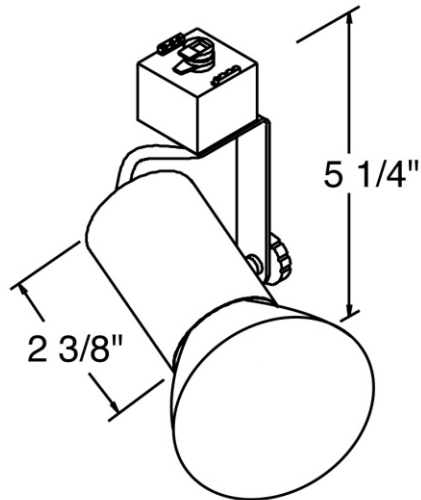
PROJECT INFORMATION:

Project Name: _____

FixtureType: _____

Date: _____

DIMENSIONS



PRODUCT SPECIFICATIONS

All track heads except HID have adjustable track adapter to allow for use with single circuit and double circuit tracks.

- Mini Universal
- Metal Housing
- 90 degree vertical adjustment
358 degree rotation

Lamp: 120V 75W R30, PAR30

Dimensions: Length: 2 3/8"
Diameter: 2"
Max. Extension: 5 1/4"

Finish: (B) Black, (W) White, (CP) Copper
(BZ) Bronze (N) Nickel

Labels: U.L. or ETL listed

LAMP NOT INCLUDED

CATALOG NUMBER

ET647B (Black)
ET647W (White)
ET647CP (Copper)
ET647BZ (Bronze)
ET647N (Nickel)