



# T8 FLUORESCENT LIGHTS

## FFL-17, FFL-25, FFL-32 SERIES

TYPE



### SPECIFICATIONS

**CONSTRUCTION:** Extruded aluminum floodlight with 2 heavy duty cast aluminum adjustable swivels. Stamped aluminum Hood Extension available (add -HE to part number)

**LENS:** High impact clear acrylic

**REFLECTOR:** Highly polished specular aluminum

**BALLAST:** 120v type 1 outdoor high frequency electronic

**LAMP SUPPLIED:**

FFL-17: 17w T8 tube, 3000K

FFL-25: 25w T8 tube, 3000K

FFL-32: 32w T8 tube, 3000K

**LAMP OPTIONS:** 3500K, 4100K

**SOCKET:** G5 2-pin

**WIRING:** Standard 120 volt Black, White and Ground

**MOUNTING:** None supplied. See Mounting Accessories below for options

**FINISH:** Black Texture polyester powder coat; optional finishes available

**NOTE:** 2 lamp option not available in T8 FFL models



**FFL-17-T8**  
mounted on  
FA-26-BLT



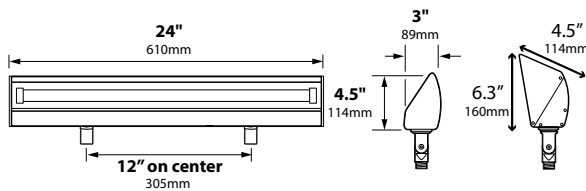
**FFL-25-T8**  
mounted on  
FA-26-BLT



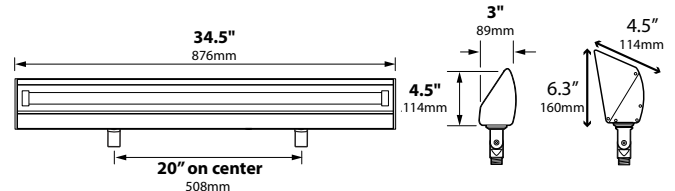
**FFL-32-T8**  
mounted on  
FA-26-BLT

### ORDERING INFORMATION

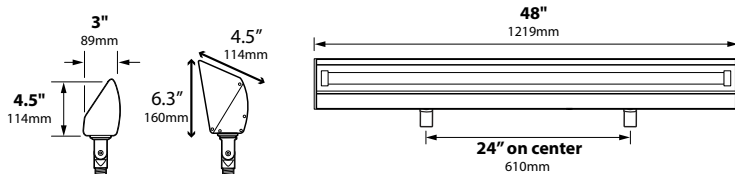
CATALOG NO.	DESCRIPTION	LAMP	SHIP WEIGHT
<b>FFL-17-T830K-BLT</b>	Aluminum T8 Floodlight	17w, T8 3000K	4.0 lbs.
<b>FFL-17-T835K-BLT</b>	Aluminum T8 Floodlight	17w, T8 3500K	4.0 lbs.
<b>FFL-17-T841K-BLT</b>	Aluminum T8 Floodlight	17w, T8 4100K	4.0 lbs.
<b>FFL-25-T830K-BLT</b>	Aluminum T8 Floodlight	25w, T8 3000K	8.0 lbs.
<b>FFL-25-T835K-BLT</b>	Aluminum T8 Floodlight	25w, T8 3500K	8.0 lbs.
<b>FFL-25-T841K-BLT</b>	Aluminum T8 Floodlight	25w, T8 4100K	8.0 lbs.
<b>FFL-32-T830K-BLT</b>	Aluminum T8 Floodlight	32w, T8 3000K	13.0 lbs.
<b>FFL-32-T835K-BLT</b>	Aluminum T8 Floodlight	32w, T8 3500K	13.0 lbs.
<b>FFL-32-T841K-BLT</b>	Aluminum T8 Floodlight	32w, T8 4100K	13.0 lbs.



**FFL-17-T8**



**FFL-25-T8**



**FFL-32-T8**



### BEAM/GLARE CONTROL ACCESSORIES

<b>FA-06-24</b>	24" long, 1/4" Mini Hex Cell Louver for FFL-17
<b>FA-06-35</b>	35" long, 1/4" Mini Hex Cell Louver for FFL-25
<b>FA-06-47</b>	47" long, 1/4" Mini Hex Cell Louver for FFL-32
<b>FA-68-17</b>	Aluminum Hood Extension for FFL-17
<b>FA-68-25</b>	Aluminum Hood Extension for FFL-25
<b>FA-68-32</b>	Aluminum Hood Extension for FFL-32

**-HE** Add to catalog number for factory installed Hood Extension

### JOB INFORMATION

Type: \_\_\_\_\_ Date: \_\_\_\_\_

Job Name: \_\_\_\_\_

Cat. No.: \_\_\_\_\_

Lamp(s): \_\_\_\_\_

Specifier: \_\_\_\_\_

Contractor: \_\_\_\_\_

Notes: \_\_\_\_\_

**FOCUS INDUSTRIES INC.**  
25301 COMMERCENTRE DRIVE  
LAKE FOREST, CA 92630

[www.focusindustries.com](http://www.focusindustries.com)  
sales@focusindustries.com  
(949) 830-1350 • FAX (949) 830-3390

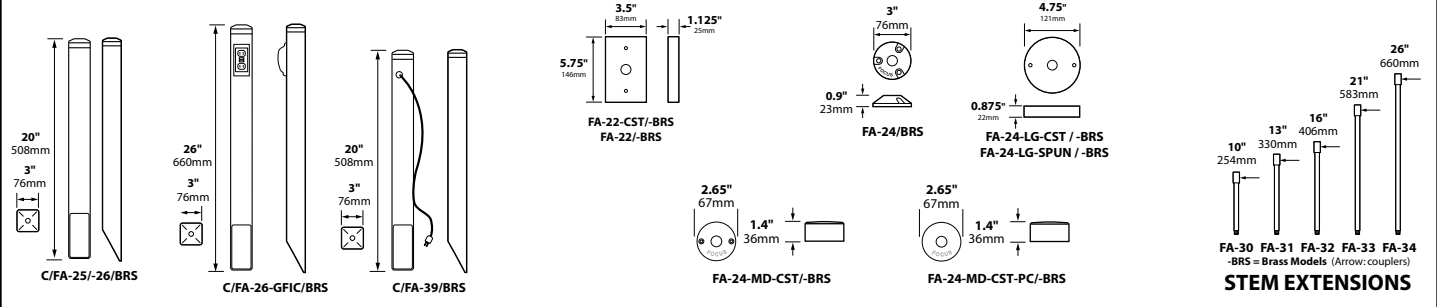
Black Texture (Standard)	Antique Verde	Bronze Texture	Camel	White Texture	Hunter Texture	Rust	Weathered Iron	Weathered Brown	Stucco	Rubbed Verde	Chrome Powder	Terra Cotta	Acid Rust	Acid Verde	Black Acid Treatment
<b>-BLT</b>	<b>-ATV</b>	<b>-BRT</b>	<b>-CAM</b>	<b>-WTX</b>	<b>-HTX</b>	<b>-RST</b>	<b>-WIR</b>	<b>-WBR</b>	<b>-STU</b>	<b>-RBV</b>	<b>-CPR</b>	<b>-TRC</b>	<b>-BAR/CAR</b>	<b>-BAV/CAV</b>	<b>-BAT</b>



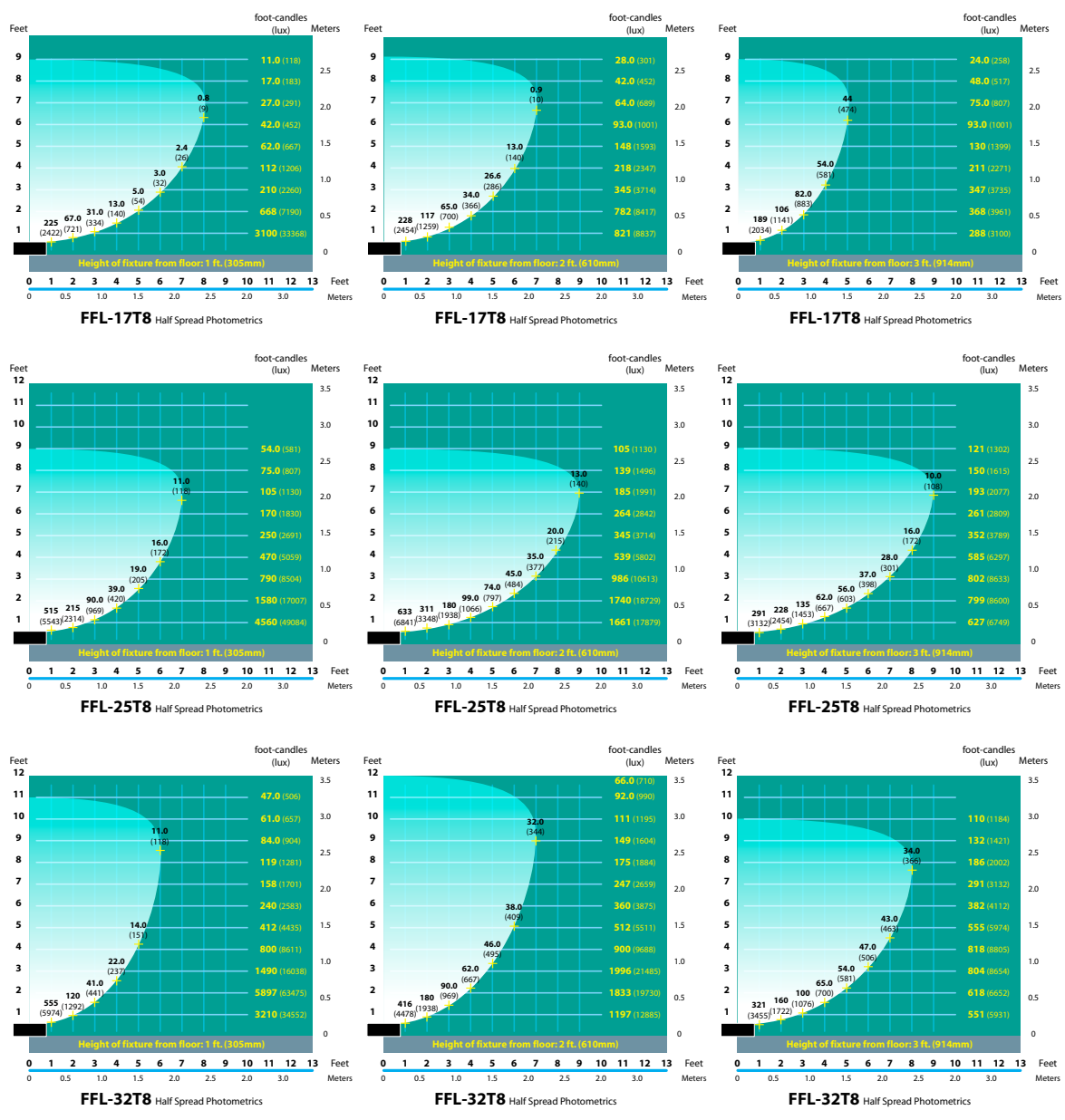
# T8 FLUORESCENT LIGHTS FFL-17, FFL-25, FFL-32 SERIES

**TYPE**

## MOUNTING ACCESSORIES



## LIGHT DISTRIBUTIONS AND PHOTOMETRICS



Black Texture (Standard)	Antique Verde	Bronze Texture	Camel	White Texture	Hunter Texture	Rust	Weathered Iron	Weathered Brown	Stucco	Rubbed Verde	Chrome Powder	Terra Cotta	Acid Rust	Acid Verde	Black Acid Treatment
-BLT	-ATV	-BRT	-CAM	-WTX	-HTX	-RST	-WIR	-WBR	-STU	-RBV	-CPR	-TRC	-BAR/CAR	-BAV/CAV	-BAT

BRASS & COPPER ONLY