

LUNERA HID LED RETROFIT KIT

LED Replacement for High Intensity Discharge Lamps

[20,000lm / 15,000lm /9,000lm] Hardwire Retrofit Kit

Vertical Mount - Line Driven



Description

The LUNERA HID LED Retrofit Kit is an LED replacement for Metal Halide (MH) and High Pressure Sodium (HPS) lamps with an proprietary hardwire base. This lamp replaces 400W ~ 70W MH and HPS lamps in High-Bay and Low-Bay applications.

The Lunera HID LED Retrofit Kit features a significantly lower energy consumption than conventional (High Intensity Discharge) HID lamps. These Lamps deliver over 60% energy savings and has a rated life of 50,000 hours – 3 times longer than that of HID lamps. Its built-in universal driver allows lamp operation at 120V ~ 277V.

Lunera HID LED Retrofit Kit is available in a range of color temperatures including 3500K, 4000K and 5000K. Lamp configuration options include a Clear or Fresnel lens. It delivers consistent light levels across its long life, which results in a high quality lighting experience for the building's occupants.

Features

- Replaces 400W ~ 175W High Intensity Discharge (MH and HPS) lamps
- Line-Driven (Ballast Bypass) lamp; supports 120V ~ 277V
- Works well in enclosed fixtures
- Up to 20,000, 15,000, and 9,000 lumens fixture delivered light output
- Yields 60%-80% energy savings
- >80 CRI
- CCT 3500K, 4000K and 5000K
- Proprietary Hardwire Base
- Thermal IQ to support ambient temperatures up to 150°F



20,000lm
15,000lm



9,000lm



Ordering Information

Example: SN-V-PIN-L-20KLM-840-G3

Series	Version	Socket Type	Power Supply	Lamp Lumens	CCT	Generation
SN: Lunera HID LED	V: Vertical [20KLM /15KLM] VS: Vertical Short [9KLM]	PIN: Hardwire Retrofit Kit (E39) socket must be removed	L: Ballast Bypass 120V ~ 277V	20KLM: 20,000lm 15KLM: 15,000lm 9KLM: 9,000lm	835: 80CRI / 3500K 840: 80CRI / 4000K 850: 80CRI / 5000K	G3: 3rd Generation

PROJECT	CONTACT	MODEL NO.
REFERENCE NO.	QUANTITY	DATE

For Technical Support:

www.lunera.com

T (650) 241-3874

1 of 4

<https://lunera.com/freshdesk.com/support/home>

Performance Specifications - Vertical Mount Lamp - 20,000lm / 15,000lm

	20,000 lumens	15,000 lumens
Illumination		
Color Temperatures	3500K, 4000K, 5000K	3500K, 4000K, 5000K
Lumens	Up to 20,000 lm	Up to 15,000 lm
Color Consistency	Lunera TruColor proprietary process	Lunera TruColor proprietary process
Lumen Maintenance (L70)	50,000+ hours life	50,000+ hours life
Electrical System		
Input Voltage	120V - 277V [Ballast Bypass]	120V - 277V [Ballast Bypass]
Average Lamp Power	230W	164W
Lamp Wattage Replaced	400W/320W/310W/250W	400W/320W/310W/250W
Physical		
Dimensions (H x W)	9.88" x 6.31"	9.88" x 6.31"
Weight	2.75lb	2.75lb
Housing and Finish	Painted	Painted
Heat Sink Size	6"	6"
Configuration	Vertical (V)	Vertical (V)
Environment		
Ambient Temperature	-40°F to 150°F*	-40°F to 150°F*
Humidity Rating	Damp OK, no direct water spray	Damp OK, no direct water spray
Fixture Type	Open or enclosed	Open or enclosed
Installation		
Socket Type	Lunera Proprietary Hardwired	Lunera Proprietary Hardwired
Certifications & Qualifications		
UL	Classified / Recognized US, CAN	Classified / Recognized US, CAN
RoHS Compliant	Contains no lead or mercury	Contains no lead or mercury
LM79, LM80, IES Files	Available	Available
DesignLights Consortium	No	No
Warranty		
Warranty	5 years	5 years

*Thermal IQ is a proprietary Lunera technology which enables the Susan Lamp to operate reliably up to 150°F ambient by dimming itself at extreme temperatures based upon thermal characteristics of the fixture in which it has been installed.

* Lamp dimming profiles subject to dimmer type and environmental conditions. Contact Lunera for more detailed information.

Performance Specifications - 9,000lm

9,000 lumens	
Illumination	
Color Temperatures	3500K, 4000K, 5000K
Lumens	Up to 9,000lm
Color Consistency	Lunera TruColor proprietary process
Lumen Maintenance (L70)	50,000+ hours life

Electrical System

Input Voltage	120V - 277V {Ballast Bypass}
Average Lamp Power	104W
Lamp Wattage Replaced	250W/175W/150W/100W/70W

Physical

Dimensions (H x W)	8.59" x 6.31"
Weight	1.9lb
Housing and Finish	Painted
Heat Sink Size	6" Small
Configuration	Vertical Short (VS)

Environment

Ambient Temperature	-40°F to 150°F*
Humidity Rating	Damp OK, no direct water spray
Fixture Type	Open or enclosed

Installation

Socket Type	Lunera Proprietary Hardwired
-------------	------------------------------

Certifications & Qualifications

UL	Classified / Recognized US, CAN
RoHS Compliant	Contains no lead or mercury
LM79, LM80, IES Files	Available
DesignLights Consortium	No

Warranty

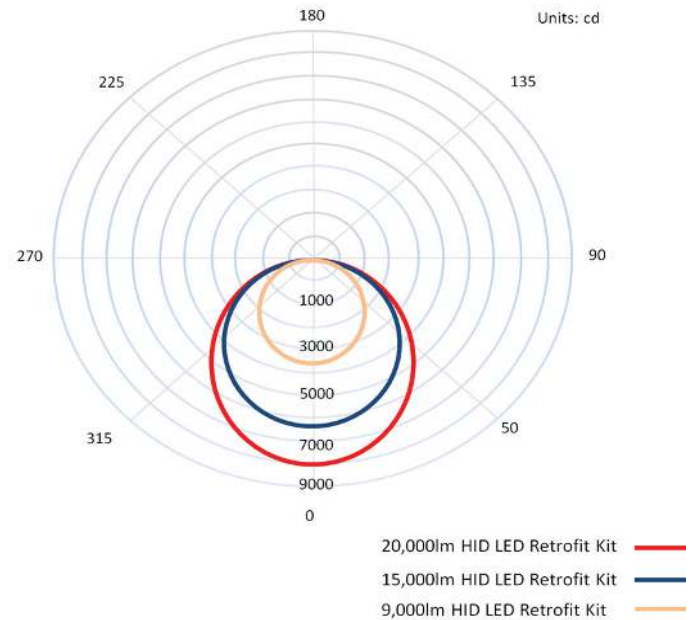
Warranty	5 years
----------	---------

This product is NOT intended for use with emergency lighting or for emergency lighting.

Photometry



Optical data is based on performance of bare lamps.

Polar Candela Distribution [20,000lm / 15,000lm / 9,000lm]



Application Notes

The Lunera HID LED lamp is designed to replace MH and HPS lamps in the following compatible applications:

Wattage Compatibilities	Sockets	Power Source	Mount
Lunera HID LED Retrofit Kit Lamp  400W - 70W MH or HPS	Hardwired 	120V-277V Line Voltage 	Vertical Mount Fixture Type  High Bay Low Bay

The Lunera HID LED Retrofit Kit can be used in open and fully enclosed fixtures.

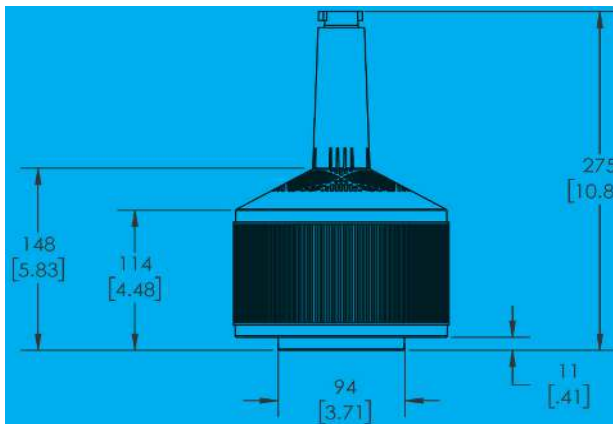
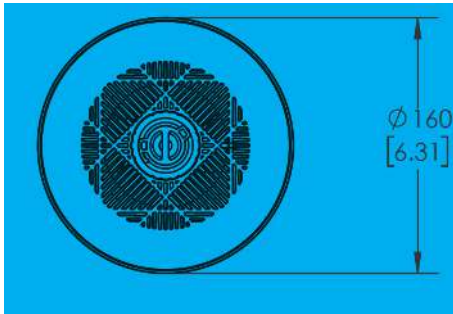
For applications containing dimmers, please contact Lunera for specific compatibilities.

Contact Lunera for luminaire level IES files with high bay and low bay DLC referenced fixtures.

Product Dimensions

Measurements are exact. Dimensions are shown in millimeters and inches. Please contact your Lunera representative for other product dimensions.

Vertical Retrofit Kit 20,000lm / 15,000lm

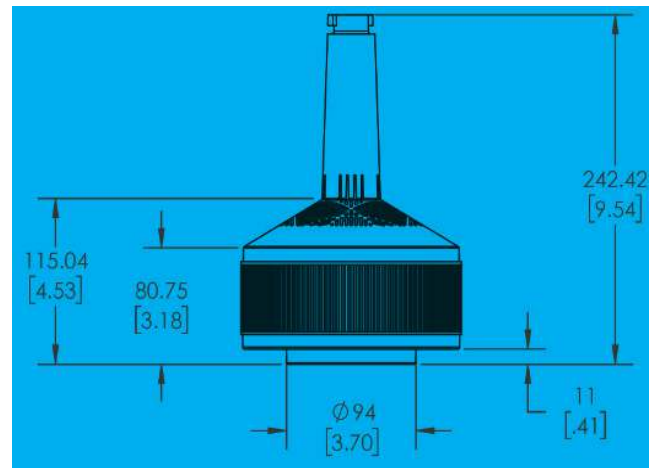
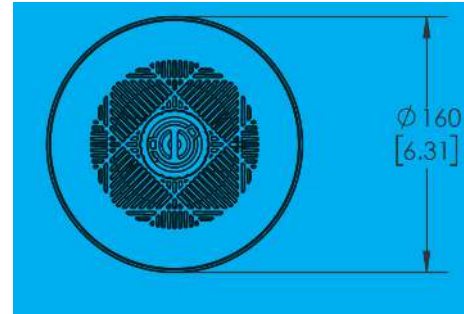


Sample Part Numbers:

SN-V-PIN-L-20KLM-8XX-G3
SN-V-PIN-L-15KLM-8XX-G3

'XX': may be 35 (3500K),
40 (4000K), or 50 (5000K)

Vertical Retrofit Kit 9,000lm



Sample Part Numbers:

SN-VS-PIN-L-9KLM-8XX-G3

'XX': may be 35 (3500K),
40 (4000K), or 50 (5000K)

CAUTION

Turn off power when installing the lamp.
For FAQ and Technical Support, please visit:
<https://lunera.freshdesk.com/support/home>

© 2016 Lunera Lighting, Inc. All Rights Reserved. Lunera and the Lunera logo are registered trademarks; All other trademarks are the property of their respective owners.

Specifications are subject to change without notice. This document is for informational purposes only.

For Technical Support:
<https://lunera.com/freshdesk.com/support/home>

www.lunera.com

T (650) 241-3874

R08716

