

## LUNERA T8 LED 2FT

9W LED Replacement for a 2FT T8 Fluorescent Lamp  
Type B - Single-Ended, Ballast Bypassed

### Description

The **LUNERA T8 LED 2FT** is a line driven, (Type B, single-ended, ballast bypassed) linear T-LED replacement for a 2FT bi-pin T8 fluorescent lamp up to 20W. Its built-in universal driver allows lamp operation at 120V ~ 277V.

This LED lamp emits beautiful light with a 330° Beam Angle, has a Color Rendering Index (CRI) of >80 and delivers up to 1,150 lumens of usable light. The LUNERA T8 LED 2FT features a glass tube for improved optics and is available in 3000K, 3500K, 4000K and 5000K color temperatures.

The LUNERA T8 LED 2FT is rated at 50,000 hours and is backed by a five-year warranty. This lamp contains no mercury allowing for non-hazardous waste disposal.

This is a Type B lamp and does not support fluorescent T8 ballasts. The fixture must have Non-Shunted G13 (Tombstone) sockets wired into AC line voltage.



### Features

- Directly replaces up to 20W/17W/15W 2FT bi-pin T8 fluorescent lamps with a 9W LED
- Ballast Bypassed (Type B, single-ended) Installation - supports line driven 120/277V
- Compatible with Non-Shunted G13 Tombstone sockets
- Delivers up to 1,150 lumens of usable light
- >80 CRI
- CCT 3000K, 3500K, 4000K and 5000K
- 50,000 hours life to L70
- 5-Year Warranty



### Ordering Information

Example: HN-T8-L-24-9W-830-G1

| Series                     | Socket Type                                 | Power Supply                                      | Dimension                 | Lamp Wattage                                 | CCT  | Generation   |
|----------------------------|---|---|---------------------------|--|--|--|
| <b>HN</b><br>Lunera T8 LED | <b>T8</b><br>Bi-pin G13 Non-Shunted sockets | <b>L</b><br>Ballast Bypassed Supports 120V ~ 277V | <b>24</b><br>24 inch tube | <b>9W</b><br>Replaces up to 20W with 1,150lm | <b>830:</b> 3000K<br><b>835:</b> 3500K<br><b>840:</b> 4000K<br><b>850:</b> 5000K | <b>G1</b><br>1st Generation Frosted<br><br><b>G1P</b><br>1st Gen with NSF Certified P.E.T. ShatterGuard*** |

|               |          |           |
|---------------|----------|-----------|
| PROJECT       | CONTACT  | MODEL NO. |
| REFERENCE NO. | QUANTITY | DATE      |

## Product Specifications

### Illumination

|                         |                               |
|-------------------------|-------------------------------|
| Color Temperatures      | 3000K, 3500K, 4000K, 5000K    |
| Delivered Lumens:       | Up to 1,150lm                 |
| CRI                     | >80                           |
| Color Consistency       | Lunera TruColor LED Selection |
| Lumen Maintenance (L70) | 50,000+ hours life            |

### Electrical System

|                                |  |
|--------------------------------|--|
| Power Factor                   | > 90%                                  |
| Total Harmonic Distortion      | < 20%                                  |
| Input Voltage                  | 120V ~ 277V<br>50/60Hz AC Line Voltage |
| Lamp and Total Power*          | 9W                                     |
| Lamp Wattage Replaced          | Up to 20W (T8)                         |
| Dimming                        | No                                     |
| Universal Tombstone Technology | No                                     |

### Physical

|                          |                         |
|--------------------------|-------------------------|
| Weight                   | 0.25 lbs                |
| Housing and Finish**     | Glass, White            |
| Optics                   | Optical Glass Diffusion |
| Beam Angle / Beam Spread | 330° / 230°             |

### Environment

|                            |                                |
|----------------------------|--------------------------------|
| Ambient Operating Temp     | -40°F to 104°F (-40°C to 40°C) |
| Ambient Operating Humidity | Dry and Damp Certified         |

### Installation

|              |  |
|--------------|--|
| Socket Type  | Medium Bi-pin G13 socket<br>(NON-SHUNTED Tombstone only) |
| Line Voltage | Yes, (120V ~ 277V). Not for use with ballasts.           |

### Certifications & Qualifications

|                                |                             |
|--------------------------------|-----------------------------|
| UL (US and Canada)             | Classified (UL1598-C)       |
| RoHS Compliant                 | Contains no lead or mercury |
| FCC***                         | Compliant with Parts 15A/B  |
| LM79, LM80, IES Files          | Available. Contact Lunera.  |
| DesignLights Consortium Listed | Yes, 4.2                    |

### Warranty

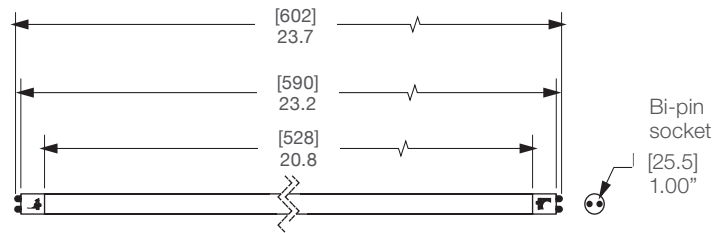
|          |         |
|----------|---------|
| Warranty | 5 years |
|----------|---------|

### CAUTION

Turn power OFF when installing the lamp.

CAUTION - IF THE LAMP OR LUMINAIRE EXHIBITS UNDESIRABLE OPERATION (BUZZING, FLICKERING, ETC.), IMMEDIATELY TURN OFF POWER, REMOVE LAMP FROM LUMINAIRE AND CONTACT MANUFACTURER.

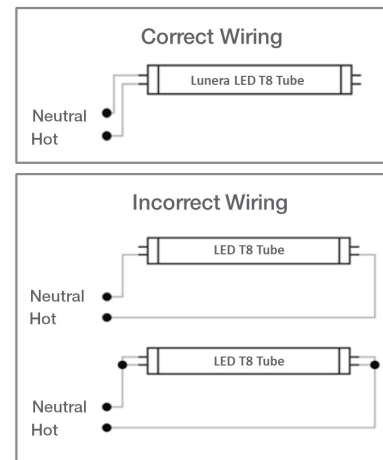
## Dimensions



## Application Notes

The LUNERA T8 LED 2FT may be used in open and IP67 rated enclosed fixtures. Indoors or outdoors.

This lamp does NOT support Shunted tombstones. Shunted tombstones must be removed and replaced with Non-Shunted tombstones.



Lamp installation in the following conditions and applications voids the product warranty:

- Installation with a ballast or LED Driver
- Installation in cracked, broken, dirty, or rusted tombstones
- Improper wiring to the tombstones

\* Total Power equals lamp power because the ballast has been bypassed or removed.

\*\* P.E.T. ShatterGuard version of the Lunera T8 LED is NSF Certified (shatter resistant).

\*\*\* Operation is subject to the following conditions:  
 (1) this device may not cause harmful interference, and  
 (2) this device must accept any interference received, including interference that may cause undesired operations.