

### Application

High efficiency T5 High Output or T8 fixtures engineered for premium performance in medium and high ceiling applications ideally suited for warehouses, manufacturing plants, sports facilities and retail spaces. A precision-formed reflector system available in either highly reflective mirror or enhanced white reflector achieve maximum light output for ceilings from 15 feet to 40 feet. The unique lamp arrangement is ideal for wide area lighting to put the light exactly where you need it with less fixtures. Based on ceiling height, these fixtures can replace an HID high bay using half of the wattage. Pendant, chain or stem mounting. Optional wireguard allows easy lamp access. Highest quality materials and workmanship.

### FEATURES & BENEFITS

- ◆ Designed for pendant, stem or chain hanging
- ◆ Mounting holes are provided for simple, fast installation
- ◆ Every fixture is individually tested
- ◆ 91% Reflectivity
- ◆ Ballasts available to meet CEE listing requirements
- ◆ **UL/CUL** listed for damp location



### ELECTRICAL

All ballasts are Class P rated and UL/CUL listed. Our ballasts are thermally protected, sound rated and tightly secured to chassis. Consult for the specific ballast required. Available in 120V, 277V, 347V and 480V.

### MOUNTING

Designed for pendant, stem or chain hanging. Mounting holes are provided for simple, fast installation. See Buyers Guide for list of all mounting options available and sold separately.

### SPECIFICATIONS

Housing is 22 gauge prepainted steel. Air vents surround the ballast and lamps in the back of the fixture to maximize lamp and ballast performance, reliability and life. High reflective mirror or enhanced white reflectors are computer designed to maximize photometric performance and put the light where you need it. Reflector snaps into fixture with no tools and is easily removable for ballast maintenance. Access plate in the back makes wiring fast and hassle-free. Back of fixture is designed with built-in mounting holes for tong hanger and cable kit.. Uplight slots are optional to add uplight. Integral Occupancy Sensor is optional and available on 6 light fixture only and is ideal for wire guard applications. This fixture is not designed to be surface mounted to the ceiling or wall.

### ORDERING DATA

EXAMPLE: FHBC654MVB1

FHBC						
Series	Frame Option	# of Lamps	Lamp Type	Reflector <sup>1</sup>	Ballast <sup>2,3</sup>	Options <sup>1,3,4,5</sup>
FHBC Premiere Fluorescent High Bay	Blank No Frame Door Frame/Lens Door Frame/Wireguard Door Frame/Lens/Wireguard	5 6 8 (per cross section)	32 48" T8 54 46" T5HO	Blank Full Specular Mirror, Wide Distribution	MV 120 - 277V 480V PMV Program Start LED 1 End Hot Self driven line voltage LED tube LED-2E 2 End Hot Self driven line voltage LED tube HMV High ballast factor LMV Low ballast factor	See Options

#### Notes

- 1) Custom reflectors available to create any light distribution. See Reflector Options for details.
- 2) Standard ballast configuration on 6L, is one four lamp and one two lamp. Standard ballast configuration on 8L, is two four lamp ballast.
- 3) See technical information section for additional ballast options.
- 4) Consult factory for occupancy and daylight sensors.
- 5) Consult factory for custom options

Dimensions and specifications subject to change without notice.



◆ 800-444-WATT ◆ www.mobern.com ◆

8200 Stayton Dr., Ste. 500, Jessup, MD 20794

CAT#			
JOB NAME		TYPE	

### OPTIONS AND ACCESSORIES

#### TYPICAL OPTIONS AND ACCESSORIES

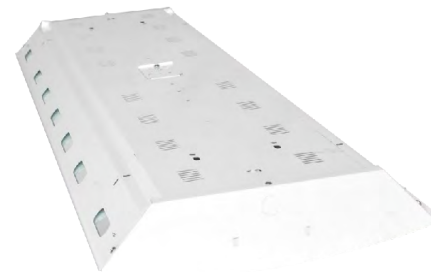
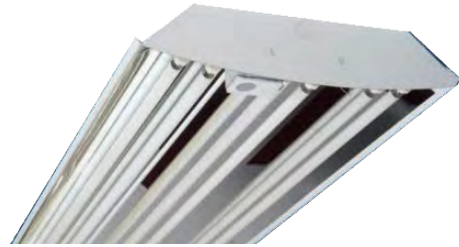
Emergency ballasts, Cord sets, whips, occupancy sensors, Hanging kits, Wire guards. Contact factory for additional options.

#### REFLECTOR OPTIONS

- W** Enhanced white, Standard Distribution
- XSN** Full specular mirror reflector, no uplight, narrow distribution
- UP** Full specular mirror reflector, wide distribution, with uplight slots
- XSNUP** Full specular mirror reflector, narrow distribution, with uplight slots
- WUP** Enhanced white reflector, standard distribution, with uplight slots

#### OPTIONS

- B1** T8/T5 1L 500 Lumens Battery Backup (B11)
- B2** T8/T5 1L/2L 700 Lumens Battery Backup (B48)
- B3** T8/T5 1L/2L 1400 Lumens Battery Backup (B223)
- B4** T8/T5 1L/2L 3000 Lumens Battery Backup (B510)  
\*Remote mount only
- B51** T5HO 1L 500 Lumens Battery Backup (B625)
- B52** T5HO 1L 800 Lumens Battery Backup (B585)
- B53** T5HO 1L 1300 Lumens Battery Backup (B626)
- OS** Occupancy Sensor
- SS** Integral Occupancy Sensor (6 Light only)
- L41** 741K Lamps Installed
- L35** 735K Lamps Installed
- L841** 841K Lamps Installed
- L835** 835K Lamps Installed
- RIF** Radio Interference Filter
- CL** Clear .100
- CL125** Clear .125
- A** Acrylic .100
- A125** Acrylic .125



#### ACCESSORIES

##### DOOR FRAME

Door Frame is 22 gauge prepainted steel snapped together and holds up to two accessory lens and wire guards. Door Frame is held to fixture with lift and shift assembly. A hole for a safety cable is provided.

6 & 8 Light Accessory Chart	
L-FHBC6CLENLNS	6L Clear lens .100
L-FHBC6CL125LENS	6L Clear lens .125
L-FHBC6ALENS	6L Acrylic lens .100
L-FHBC6A125LENS	6L Acrylic lens .125
L-FHBCDF6WG	6L Wireguard in Door Frame
L-FHBC6WG	6L Wireguard / no Door Frame



Dimensions and specifications subject to change without notice.

### TECHNICAL INFORMATION

#### BALLAST OPTIONS

##### Brands

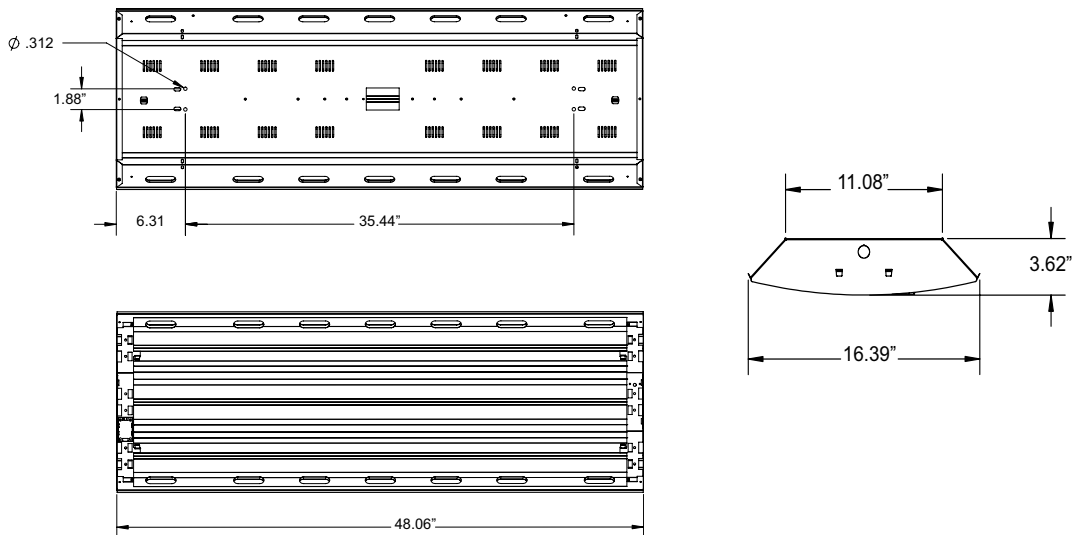
Code No.	Description
A	Advance
G	GE Ballast
L	Lutron
S	Sylvania Ballast
U	Universal

##### Performance Levels

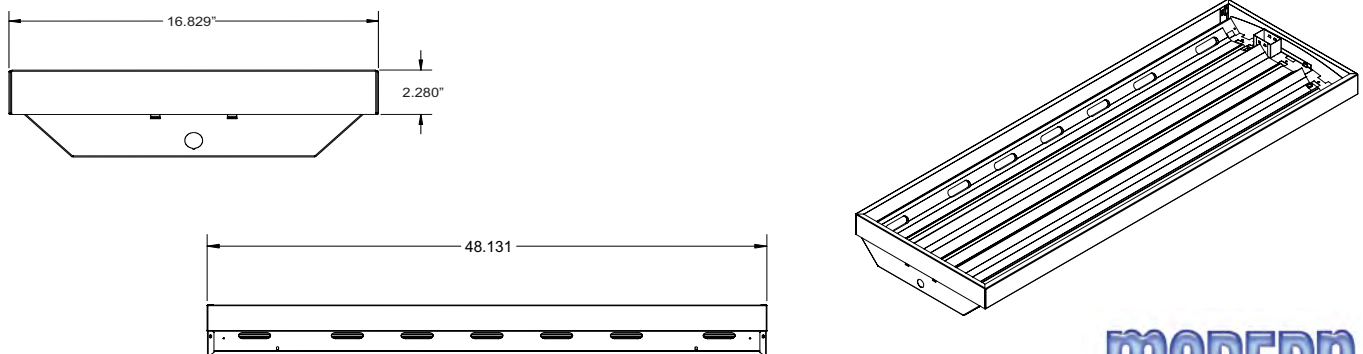
Ballast			
Manufacturer	Standard - Leave blank if no preference	High Efficiency Instant Start	High Efficiency Program Start
Advance (A)	Centium ICN (A)	Optanium (AL, AN, AH)	Optanium PS (APL, APN ???)
GE (G)	Proline GE (G)	UltraMax (GL, GN, GH)	UltraStart (GPL, GPH, GPH)
Osram/Sylvania (S)	Quicktronic Pro (S)	Quicktronic QHE (SL, SN, SH)	ProStart (SPL, SPN, SPH)
Universal (U)	ULT STD Electronic (U)	HP Electronic (UL, UN, UH)	AccuStart (UPI, UPN, UPH)

#### DIMENSIONS

##### 6 & 8 Light Fixture



##### 6 & 8 Light Door Frame



Dimensions and specifications subject to change without notice.