

Metalux AP

DESCRIPTION

SP is our newest LED panel series which offer customers with premium performance and excellent installation flexibility. Developed with Eaton Lighting's latest generation of solid state lighting and electronic driver technologies for optimal performance and energy savings. With refined visual optics and premium housing with rounded edges, this LED panel light offers premium features more aligned with high end luminaires.

Suitable for recessed, suspended, surface or wall mounting applications, this LED panel series is an excellent lighting solution for commercial office spaces, schools, hospitals and retail merchandising areas.

| | | |
|--------------------|--|-------------|
| Catalog # | | Type |
| Project | | |
| Comments | | Date |
| Prepared by | | |

SPECIFICATION FEATURES

Construction

Rigid housing with die formed bezel and back produced from code gauge. Tapered edges on bezel frame provides refined finish. Integral recessed and suspended clips located on the back offer easy installation features for quick mounting. With an ultra-thin design, less than 1 inch in depth, Surface LED panel eliminates issues with shallow plenums and low ceilings.

Controls

The SP is equipped standard with a 0-10V continuous dimming driver that works with any standard 0-10V control/dimmer. Combine with energy-saving products like occupancy sensors, daylighting controls, and lighting relay panels to maximize energy savings.

Electrical

Long-Life LED system coupled with electrical driver to deliver optimal performance. LED's available in 3500K or 4000K with typical CRI 80+. Projected life is 50,000 hours at 70% lumen output. cULus listed. Electronic drivers are available for 120-277V applications. A 0-10V dimming driver is standard.

Emergency Battery Pack Option

Remote battery pack with AC inverter.

Finish

Multistage, iron phosphate pretreatment ensures maximum bonding and rust inhibition. Surface LED panel offers a standard post painted providing a premium aesthetic.

Hinging/Latching

Integral clips for either recessed or suspended applications. Suspended 4 point aircraft cable accessory is optional. Surface LED panel also has the ability to be surface or wall mounted. With a uniquely designed surface locking ring, this LED panel can be mounted on most any surface.

Frame/Optical Shielding

Uniform, evenly illuminated surface. White frost lens with smooth pattern.

Compliance

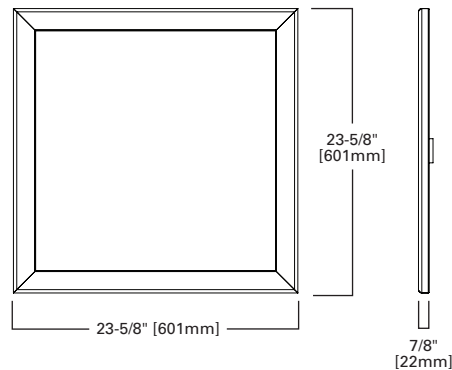
Modules are UL recognized components and indoor luminaires are cULus listed for 25°C ambient environments, RoHS compliant, damp location listed, and LED modules comply with IESNA LM-79 and LM-80 standards.



**22SP
LED**

2' X 2' LED ULTRA THIN PANEL

Surface / Recessed LED Panel
Suitable for insulated ceiling, surface mount or suspended applications



| Catalog Number | Product Description |
|----------------|--|
| 22SP3435 | 2' x 2', Flat LED Panel, 3400 lumen, 3500K, 0 to 10V |
| 22SP3440 | 2' x 2', Surface LED Panel, 3400 lumen, 4000K, 0 to 10V dimmable |

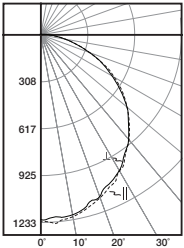
Accessories

| Catalog Number | Product Description |
|----------------|---------------------------------------|
| SP-SUPENDKIT | 4 Point Suspension Kit w/ power cable |
| SP-SURDSKFKIT | Surface disk ring for SP Panel |

WATTAGE

| Lumens Package | Wattage |
|----------------|---------|
| 3400 | 32W |

PHOTOMETRICS



22SP3440
 Electronic Driver
 Linear LED 4000K
 Spacing criterion:
 (||) 1.27 x mounting
 height, (⊥) 1.26 x
 mounting height
 Lumens: 3520.7
 Input Watts: 32.8W
 Efficacy: 107.3 lm/W
 Test Report:
 22SP3440RT.IES

| Candlepower | | | |
|-------------|-------|------|----------|
| Angle | Along | 45° | Across ⊥ |
| 0 | 1215 | 1215 | 1215 |
| 5 | 1233 | 1199 | 1189 |
| 10 | 1203 | 1191 | 1189 |
| 15 | 1172 | 1163 | 1162 |
| 20 | 1134 | 1130 | 1128 |
| 25 | 1086 | 1077 | 1069 |
| 30 | 1031 | 1033 | 1029 |
| 35 | 968 | 960 | 957 |
| 40 | 898 | 893 | 899 |
| 45 | 817 | 817 | 819 |
| 50 | 734 | 744 | 736 |
| 55 | 653 | 640 | 644 |
| 60 | 562 | 550 | 543 |
| 65 | 443 | 447 | 445 |
| 70 | 341 | 343 | 339 |
| 75 | 245 | 242 | 239 |
| 80 | 149 | 147 | 144 |
| 85 | 65 | 63 | 62 |
| 90 | 0 | 0 | 0 |

Coefficients of Utilization

| rc rw | Effective floor cavity reflectance | | | | | | | | | | | | | | | | | | | | | | |
|----------|------------------------------------|-----|-----|-----|-----|-----|-----|-----|-----|-----|-----|-----|-----|-----|-----|-----|-----|-----|-----|-----|-----|-----|-----|
| | 80% | | | | 70% | | | | 50% | | | | 30% | | | | 10% | | | | 0% | | |
| RCR | 70 | 50 | 30 | 10 | 70 | 50 | 30 | 10 | 50 | 30 | 10 | 50 | 30 | 10 | 50 | 30 | 10 | 50 | 30 | 10 | 50 | 30 | 10 |
| 0 | 119 | 119 | 119 | 119 | 116 | 116 | 116 | 116 | 111 | 111 | 111 | 106 | 106 | 106 | 102 | 102 | 102 | 100 | 100 | 100 | 100 | 100 | 100 |
| 1 | 109 | 104 | 99 | 95 | 106 | 101 | 97 | 94 | 97 | 94 | 91 | 93 | 91 | 88 | 90 | 87 | 85 | 83 | 83 | 83 | 83 | 83 | 83 |
| 2 | 99 | 90 | 83 | 77 | 96 | 88 | 82 | 76 | 85 | 79 | 75 | 81 | 77 | 73 | 78 | 75 | 71 | 69 | 69 | 69 | 69 | 69 | 69 |
| 3 | 90 | 79 | 71 | 64 | 87 | 77 | 70 | 64 | 74 | 68 | 62 | 72 | 66 | 61 | 69 | 64 | 60 | 58 | 58 | 58 | 58 | 58 | 58 |
| 4 | 82 | 70 | 61 | 54 | 80 | 69 | 60 | 54 | 66 | 59 | 53 | 64 | 57 | 52 | 62 | 56 | 52 | 49 | 49 | 49 | 49 | 49 | 49 |
| 5 | 75 | 62 | 53 | 47 | 73 | 61 | 53 | 46 | 59 | 52 | 46 | 57 | 50 | 45 | 55 | 49 | 45 | 43 | 43 | 43 | 43 | 43 | 43 |
| 6 | 70 | 56 | 47 | 41 | 68 | 55 | 47 | 40 | 53 | 46 | 40 | 52 | 45 | 40 | 50 | 44 | 39 | 37 | 37 | 37 | 37 | 37 | 37 |
| 7 | 65 | 51 | 42 | 36 | 63 | 50 | 42 | 36 | 48 | 41 | 35 | 47 | 40 | 35 | 46 | 40 | 35 | 33 | 33 | 33 | 33 | 33 | 33 |
| 8 | 60 | 46 | 38 | 32 | 58 | 46 | 37 | 32 | 44 | 37 | 32 | 43 | 36 | 31 | 42 | 36 | 31 | 29 | 29 | 29 | 29 | 29 | 29 |
| 9 | 56 | 43 | 34 | 29 | 55 | 42 | 34 | 29 | 41 | 33 | 28 | 40 | 33 | 28 | 39 | 33 | 28 | 26 | 26 | 26 | 26 | 26 | 26 |
| 10 | 53 | 39 | 31 | 26 | 51 | 39 | 31 | 26 | 38 | 31 | 26 | 37 | 30 | 26 | 36 | 30 | 26 | 24 | 24 | 24 | 24 | 24 | 24 |

Zonal Lumen Summary

| Zone | Lumens | % Fixture |
|-------|--------|-----------|
| 0-30 | 943.0 | 26.8 |
| 0-40 | 1546.8 | 43.9 |
| 0-60 | 2753.4 | 78.2 |
| 0-90 | 3520.7 | 100.0 |
| 0-180 | 0.0 | 0.0 |

Luminance Data

| Angle in Deg | Average 0-Deg cd/sm | Average 45-Deg cd/sm | Average 90-Deg cd/sm |
|--------------|---------------------|----------------------|----------------------|
| 45 | 817 | 817 | 819 |
| 55 | 653 | 640 | 644 |
| 65 | 443 | 447 | 445 |
| 75 | 245 | 242 | 239 |
| 85 | 65 | 63 | 62 |

SHIPPING DATA

| Catalog No. | Wt. | Pallet |
|-------------|---------|--------|
| 2' x 2' | 13 lbs. | 56 |