

DESCRIPTION

SNLED Base is a narrow LED striplight series. This high quality luminaire is dedicated to the latest solid state lighting and electronic driver technology for optimal performance and energy efficiency.

The small size of the SNLED makes it an ideal choice for size restricted architectural applications. The SNLED Series can be the illumination solution in commercial, industrial, retail and residential applications. Fixtures can be used in storage/utility areas, coves, display cases, shops, tasks and general area lighting.

SPECIFICATION FEATURES

Construction

Channel is die formed cold rolled steel with numerous KOs for ease of installation. Groove for Tong Hanger. End plate quickly converts to snap-in channel connector for continuous row alignment. Channel/wireway cover secured with sheet metal screws.

Controls

Equipped standard with a 0-10V continuous dimming driver that works with any standard 0-10V control/dimmer. Dimming range is 10% to 100%; varies by control device. Combine with energysaving products like occupancy sensors, day lighting controls, and lighting relay panels to maximize energy savings. For motion control, reference options for both end and middle of the row applications.

Electrical

Long-Life LED system coupled with electronic (120-277V) driver to deliver optimal lighting performance. LED's available in 3000K, 3500K, 4000K, or 5000K with a CRI ≥ 85. Other color temperatures are available. Projected life is 60,000+ hours at 70% lumen output based on TM21. This driver is 0-10V dimming standard.

Emergency Battery Pack Option

Optional 120v-277v integral emergency battery pack is available in 7-watts or 14-watts to meet critical life-safety lighting requirements. The 90-minute batteries provide constant power to the LED system, ensuring code-compliance. A test switch/indicator button can be tested safely from the ground using a laser pointer, while the patented EZ Key prevents accidental discharge of the battery during construction. See ordering information for details.

Installation

Fixture may be surface, pendant, or stem mounted. See accessories below (order separately).

Catalog #		Type
Project		
Comments		Date
Prepared by		

Compliance

Components are UL recognized. Indoor luminaires are cULus listed for 40° C ambient environments, RoHS compliant, damp location listed, and comply with IESNA LM-79. LEDs comply with LM-80 standards. DesignLights Consortium® Qualified. Refer to www.designlights.org Qualified Products List under Family Models for details.

Warranty

Five-year warranty.

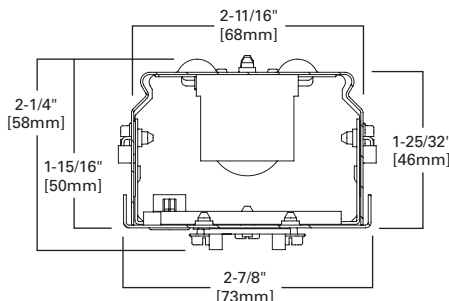


SNLED BASE LED

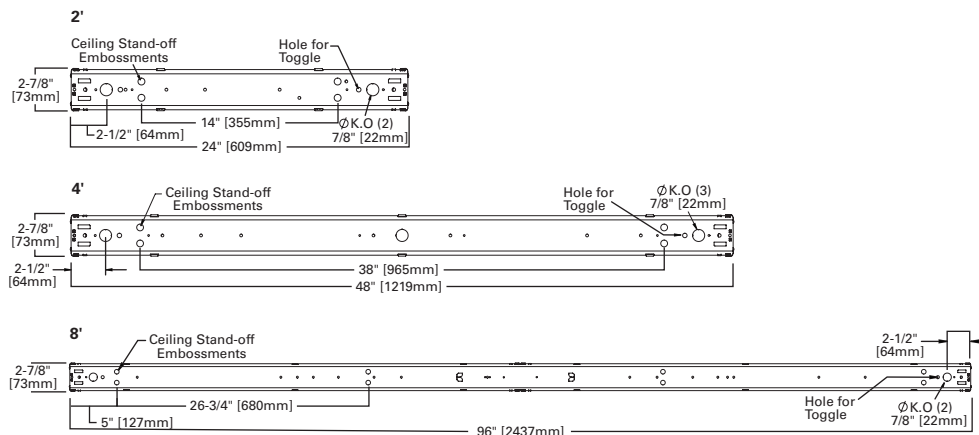
LED Striplight

powered by

 fifthlight
 technology



MOUNTING DATA



LINEAR DISCONNECT

Safe and convenient means of disconnecting power



WATTAGE

SNLED Type	Stock / MTO	Lumen Type	Length	Catalog Logic	Nominal Lumens	Wattage	lm/W
Base	MTO	Standard	2 ft.	2SNLED-LD4-20SL-UNV-L8XX-CD1-U	2002	17	117
Base	Stock	Standard	2 ft.	2SNLED-LD4-24SL-UNV-L8XX-CD1-U	2441	22	111
Base	MTO	Standard	2 ft.	2SNLED-LD4-28SL-UNV-L8XX-CD1-U	2848	23	121

Base	MTO	Standard	4 ft.	4SNLED-LD4-20SL-UNV-L8XX-CD1-U	2140	16	123
Base	MTO	Standard	4 ft.	4SNLED-LD4-24SL-UNV-L8XX-CD1-U	2416	18	131
Base	Stock	Standard	4 ft.	4SNLED-LD4-28SL-UNV-L8XX-CD1-U	2823	22	129
Base	Stock	Standard	4 ft.	4SNLED-LD4-32SL-UNV-L8XX-CD1-U	3214	25	128
Base	MTO	Standard	4 ft.	4SNLED-LD4-36SL-UNV-L8XX-CD1-U	3603	28	127
Base	MTO	Standard	4 ft.	4SNLED-LD4-40SL-UNV-L8XX-CD1-U	4013	32	124
Base	MTO	Standard	4 ft.	4SNLED-LD4-44SL-UNV-L8XX-CD1-U	4445	37	120
Base	Stock	Standard	4 ft.	4SNLED-LD4-48SL-UNV-L8XX-CD1-U	4846	41	117
Base	MTO	Standard	4 ft.	4SNLED-LD4-52SL-UNV-L8XX-CD1-U	5244	46	114
Base	MTO	Standard	4 ft.	4SNLED-LD4-56SL-UNV-L8XX-CD1-U	5625	50	112
Base	MTO	Standard	4 ft.	4SNLED-LD4-60SL-UNV-L8XX-CD1-U	6000	56	107
Base	MTO	High	4 ft.	4SNLED-LD4-64HL-UNV-L8XX-CD1-U	6421	51	126

Base	MTO	Standard	8 ft.	8TSNLED-LD4-64SL-UNV-L8XX-CD1-U	6428	50	128
Base	MTO	Standard	8 ft.	8TSNLED-LD4-72SL-UNV-L8XX-CD1-U	7206	57	127
Base	Stock	Standard	8 ft.	8TSNLED-LD4-80SL-UNV-L8XX-CD1-U	8026	65	124
Base	Stock	Standard	8 ft.	8TSNLED-LD4-88SL-UNV-L8XX-CD1-U	8890	73	120
Base	MTO	Standard	8 ft.	8TSNLED-LD4-96SL-UNV-L8XX-CD2-U	9692	82	117
Base	MTO	Standard	8 ft.	8TSNLED-LD4-104SL-UNV-L8XX-CD2-U	10488	91	114
Base	MTO	Standard	8 ft.	8TSNLED-LD4-112SL-UNV-L8XX-CD2-U	11250	100	112
Base	MTO	High	8 ft.	8SNLED-LD4-130HL-UNV-L8XX-CD1-U	13650	130	105
Base	MTO	High	8 ft.	8SNLED-LD4-170HL-UNV-L8XX-CD1-U	18540	140	132

PHOTOMETRICS

See website for IES/photometric files

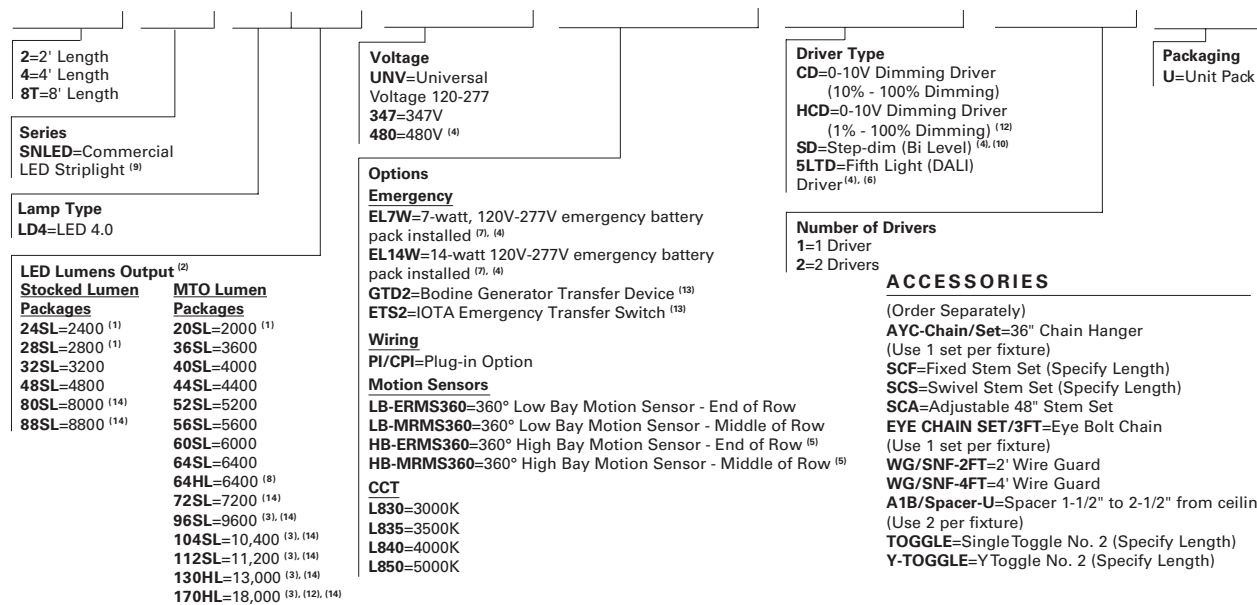
LUMEN MAINTENANCE

Ambient Temperature	TM-21 Lumen Maintenance (12,000 hours)	Theoretical L70 (Hours)
25°C	92.55%	273,000

Max Ambient temp in compliance with UL: 40°C

ORDERING INFORMATION

SAMPLE NUMBER: 4SNLED-LD4-44SL-UNV-L840-U



ACCESSORIES

- (Order Separately)
- AYC-Chain/Set=36" Chain Hanger (Use 1 set per fixture)
- SCF=Fixed Stem Set (Specify Length)
- SCS=Swivel Stem Set (Specify Length)
- SCA=Adjustable 48" Stem Set
- EYE CHAIN SET/3FT=Eye Bolt Chain (Use 1 set per fixture)
- WG/SNF-2FT=2' Wire Guard
- WG/SNF-4FT=4' Wire Guard
- A1B/Spacer-U=Spacer 1-1/2" to 2-1/2" from ceiling (Use 2 per fixture)
- TOGGLE=Single Toggle No. 2 (Specify Length)
- Y-TOGGLE=Y Toggle No. 2 (Specify Length)

NOTES: ⁽¹⁾ 2 ft. and 4 ft. only. ⁽²⁾ Nominal lumen values. ⁽³⁾ Two driver required. ⁽⁴⁾ 4 ft. and 8 ft. only. ⁽⁵⁾ Motion Sensor offers dimmability. ⁽⁶⁾ For a complete listing of Fifth Light Technology products and other solutions from Cooper Controls, visit www.coopercontrol.com. ⁽⁷⁾ With integral test switch/indicator/laser test. For approximate delivered lumens multiply the lumens per watt of the desired fixture by the wattage of the emergency battery pack (100 lm/W x 7=700 lumens). IES-format photometry for luminaire under emergency operation available. ⁽⁸⁾ 4 ft. only. ⁽⁹⁾ DesignLights Consortium™ Qualified and classified for DLC Standard (all lumen packages), refer to www.designlights.org for details. ⁽¹⁰⁾ 4800 lumen and above on 4 ft. and 9600 lumen and above on 8 ft. ⁽¹¹⁾ HCD driver option requires two drivers for 7200 – 11,200 lumens. Not available for 13,000 lumens and above. ⁽¹²⁾ Not currently listed on DLC QPL. ⁽¹³⁾ Used to transfer fixture to secondary power source for life-safety operation. When used with a dimming fixture, two devices are required to ensure control is disabled while operating under emergency power. ⁽¹⁴⁾ 8 ft. only.

Specifications & dimensions subject to change without notice. Consult your Eaton Representative for availability and ordering information.