

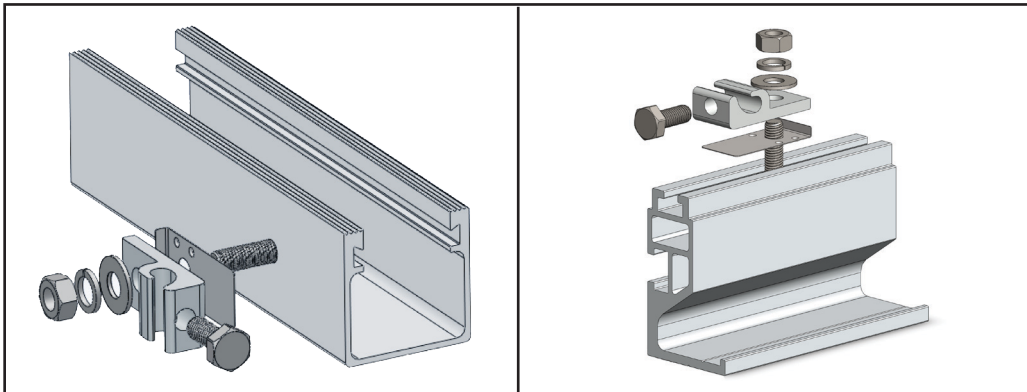
# WEEB-LUG

The WEEB Lug consists of a WEEB (Washer, Electrical Equipment Bond), lay-in lug, and hardware. It is used with one solid or stranded copper wire (14AWG to 6AWG), or two copper wires (12AWG to 10AWG) to provide a continuous ground on roof or ground mounted solar systems. Unlike traditional lay-in lugs, the WEEB Lug does not require surface preparation on rail or module to install. The WEEB Lug is installed using stainless steel mounting hardware. When the hardware is tightened the WEEB's specialized teeth embed into anodized aluminum, galvanized steel, or any electrically conductive metal to establish a gas tight electrical connection. The tin-plated Lug assures minimum contact resistance and protection against corrosion. Copper wire is clamped by a 1/4-28 stainless steel screw, which is horizontal to the tang for easy access when mounted under a PV module. The low profile of the WEEB Lug allows it to be installed in a variety of positions.

| Catalog        | Item #   | L x W x H             | Hole   | Hardware                                 | Torque                                                     |
|----------------|----------|-----------------------|--------|------------------------------------------|------------------------------------------------------------|
| WEEB-LUG-6.7   | 30020109 | 1.60" x 0.71" x 0.47" | 0.266" | 1/4 inch hardware - included unassembled | 7 ft. lbs. for terminal screw                              |
| WEEB-LUG-6.7AS | 30020110 | 1.60" x 0.71" x 0.47" |        | 1/4 inch hardware - included assembled   |                                                            |
| WEEB-LUG-8.0   | 30020111 | 1.60" x 0.87" x 0.47" | 0.323" | M8 or 5/16 inch hardware - not included  | 10 ft. lbs. for mounting hardware w/ Penetrox-A on threads |
| WEEB-LUG-8.2MS | 30020115 | 1.60" x 0.71" x 0.47" |        | M8 or 5/16 inch hardware - not included  |                                                            |
| WEEB-LUG-15.8  | 30020112 | 1.60" x 0.71" x 0.47" |        | M8 or 5/16 inch hardware - not included  |                                                            |



- Material: 304 stainless steel, tin-plated copper, outdoor rated
- Low profile design
- Multiple equipment ground conductor allowance:  
One 14 AWG to 6 AWG or two 10 AWG, two 12 AWG
- Listed to ANSI/UL 467 by Intertek ETL



**Customer Service Department**  
 7 Aviation Park Drive  
 Londonderry, NH 03053  
 1-800-346-4175  
 1-603-647-5299 (International)



3098177

