

Total™ Edge Series

Single and double face, surface and recessed mount edge-lit exit sign



Construction

- Extruded aluminum housing
- High grade acrylic panel
- 6 inch EXIT lettering legend, available in red or green:
Field-selectable chevrons
- Satin aluminum housing

Mounting

Universal mount model

- Pivoting panel design allows for recessed, surface, wall or ceiling mount installation
- A ratcheting mechanism allows the panel to be set in place from 0° to 180° for wall or sloped ceiling mounting
- Canopy included for surface wall, end or ceiling mount application
- Trim plate, 27 inch adjustable T-bar hangers and a junction box included for recessed application¹

Approvals

- UL 924 listed
- Damp location 50°F to 104°F (10°C to 40°F)
- Meets NFPA101 (Life Safety Code)
NFPA 70-NEC and OSHA illumination standards

Warranty (subject to proper installation and maintenance)

- Unit has a three-year warranty
Detailed warranty terms located on page 178 or online at:
www.emergi-lite.com/usa/files/EL_Warranty.pdf

¹Not intended for closed ceilings such as plaster and sheetrock.

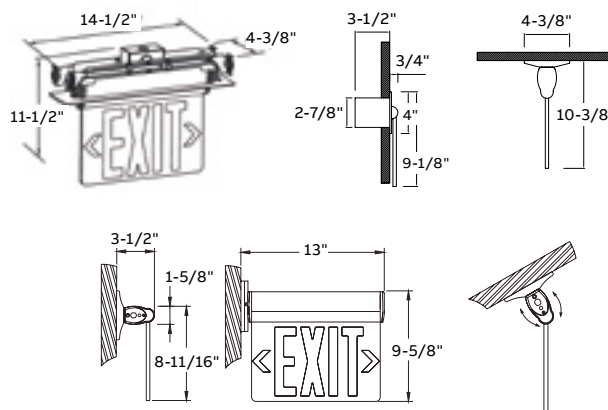
Accessories (order as a separate item)

Description	Suffix
Battery	850.0107-E
Pendant white	P*WT
Pendant black	P*BK
Pendant adapter ¹	081886-E

¹Required for use with pendant

Dimensions

Dimensions are approximate and subject to change.



Power consumption

Model	AC specs		DC specs	
AC only	120VAC, 60Hz	2.0-2.6W	-	-
	277VAC, 60Hz	2.6-3.1W	-	-
Red	Self-powered	120VAC, 60Hz	2.0-2.6W	Ni-Cd battery Min. 90 minutes
		277VAC, 60Hz	2.6-3.1W	Ni-Cd battery Min. 90 minutes
AC only	120VAC, 60Hz	2.8-3.3W	-	-
	277VAC, 60Hz	3.5-4W	-	-
Green	Self-powered	120VAC, 60Hz	2.8-3.3W	Ni-Cd battery Min. 90 minutes
		277VAC, 60Hz	3.5-4W	Ni-Cd battery Min. 90 minutes

How to order

Series	Color	Legend
PA= AC Only	R= Red on mirror	6= 6" EXIT single and double face with universal chevrons
PN= Self-powered	G= Green on mirror	
PA2= AC only dual circuit		

Example: PAR6