



Cutoff Wallpack with glare shield for 35 - 100W HPS, 50 - 100W MH (Pulse Start Standard) or 42W CFL. Lens is flat, tempered glass. 30° cutoff strip included. Lamp supplied.

Color: Bronze

Weight: 9.6 lbs

Project:	Type:
Prepared By:	Date:

Lamp Info		Ballast Info	
Type:	ED17	Type:	HX-NPF 120V
Watts:	70W	120V:	2.5/2.1A
Shape/Size:	N/A	208V:	N/A
Base:	N/A	240V:	N/A
ANSI:	N/A	277V:	N/A
Hours:	15,000	Input Watts:	94W
Lamp Lumens:	5600	Efficiency:	74%
Efficacy:	59 LPW		

Technical Specifications

Listings

UL Listing:

Suitable for wet locations. HID fixtures can be wired with 90°C supply wiring if supply wires are routed 3" away from the ballast.

EISA 2007 Compliant:

This product complies with the new law for metal halide ballast efficiency. This law goes into effect January 1st, 2008. Pulse Start offers Longer Lamp Life, Faster Startup and Faster Restrike.

Construction

Housing:

Die cast aluminum, 1/2" NPS tapped top, both sides and back for conduit or photocontrol. Hinged refractor. Continuous one piece silicone rubber gasket.

Reflector:

Semi-Specular anodized aluminum, removable for installation. Symmetrical light pattern maximizes distance between fixtures.

Finish:

Formulated for high-durability and long lasting color.

Template:

Drilling template for easy wall box mounting.

Other

Conduit Entry Points:

Conduit entry points are 1/2" NPS tapped and located on all 4 sides and in back. The back entry is 3 inches from bottom and centered horizontally.

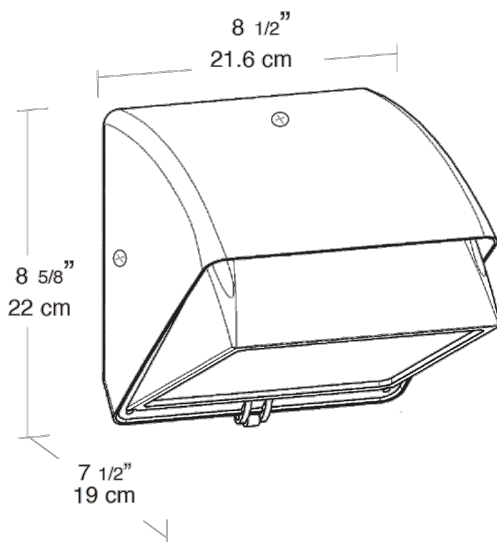
Patents:

Pat. D440,683.

Buy American Act Compliance:

RAB values USA manufacturing! Upon request, RAB may be able to manufacture this product to be compliant with the Buy American Act (BAA). Please contact customer service to request a quote for the product to be made BAA compliant.

Dimensions



Features

- Precision die cast aluminum housing with durable polyester powder coating
- Easy access conduit openings & ballasts for fast internal wiring
- Long life lamp included
- Silicone gasket remains in place during relamping
- Cutoff glare shield for "friendly" lighting
- Hinged door swings open and remains captive for easy relamping