

# H-MOSS® Controls Adaptive Dual (Ultrasonic and Passive Infrared) Ceiling Sensors

# HUBBELL



## Features

- Coverage 2000 sq. ft. (360°), low voltage sensor
- Minimize the risk of false triggering; lights turning ON when the space is un-occupied. Offer the best performance for most applications
- Office White ABS enclosure blends with ceiling tile
- Red LED indicates passive infrared detection and Green LED indicates ultrasonic detection
- "Install and Forget" operation. Auto-adjusting adaptive technology eliminates manual adjustments

## Ordering Information

| Description        | Device Color | UPC Number   | Catalog Number |
|--------------------|--------------|--------------|----------------|
| Low voltage sensor | Office White | 783585392431 | ATD2000C       |

## Listings

cULus listed to UL244A  
ASHRAE 90.1 compliant  
CEC Title 24 compliant

## Specifications

|                 |                               |
|-----------------|-------------------------------|
| Housing         | Flame retardant UL 94 V-0 ABS |
| Lens            | Polyethylene                  |
| Dimensions      | 1.5"H x 4.5"D                 |
| Mounting Height | 8 to 12 feet                  |

## Performance

### Controls

|               |                                            |
|---------------|--------------------------------------------|
| Ambient Light | 1 to 1000 foot candles                     |
| Sensitivity   | Adaptive 0 to 100%                         |
| Time Delay    | Test (8 seconds), adaptive 8 to 40 minutes |

### Electrical

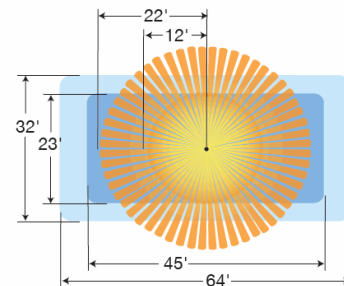
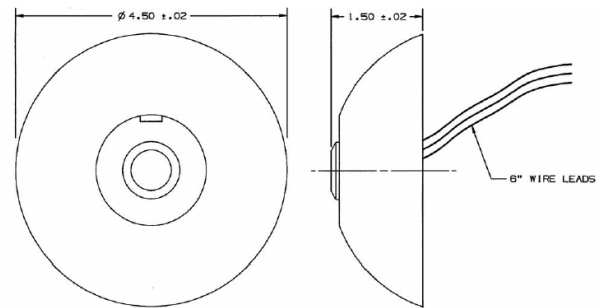
|                    |                                                          |
|--------------------|----------------------------------------------------------|
| Power Requirements | 24V DC nominal, 33mA from Hubbell CU series control unit |
|--------------------|----------------------------------------------------------|

### Environmental

|                       |                                                                                    |
|-----------------------|------------------------------------------------------------------------------------|
| Operating Temperature | 32°F to 104°F (0°C to 40°C) with rate of change not exceeding 20°F (11°C) per hour |
| Storage Temperature   | -20°F to 150°F (-29°C to 65°C); 0% to 95% non-condensing relative humidity         |

### Sensing Indicators

|                  |           |
|------------------|-----------|
| Passive Infrared | Red LED   |
| Ultrasonic       | Green LED |



## Complementary Products

|                                            |         |
|--------------------------------------------|---------|
| Control Unit Auto-ON                       | CU300A  |
| Control Unit Manual-ON                     | CU300M  |
| Control Unit, HD, Latching, Auto/Manual-ON | CU300HD |
| Ceiling mount wire guard                   | ACMG    |
| Ceiling mount raceway adapter              | ACMRA   |

## Online Resources

Customer Use Drawing  
eCatalog  
Installation Instructions

Dimensions in Inches (mm)

Hubbell Wiring Device-Kellems • Hubbell Incorporated (Delaware) • 40 Waterview Drive • Shelton, CT 06484

Phone (800) 288-6000 • Fax (800) 255-1031 • Specifications subject to change without notice.

