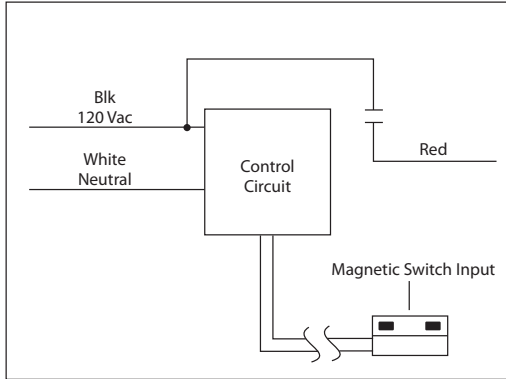


CLC106

Enclosed Relay 5 Amp SPST, Separated Class 2 Magnetic Door Switch Input, 120 Vac Power



CLOSET LIGHT CONTROLLERS



Specifications

Relays & Contact Type: One (1) SPST Continuous Duty Coil
Expected Relay Life: 10 million cycles minimum mechanical
Operating Temperature: -30 to 140° F
Dimensions: 2.90" x 1.50" x 1.05"
 with Retaining Clip for 1/2" Knockout
Wires: 16", 600 V Rated (120 Vac Connections)
 6" Leads on Magnetic Door Switch
Approvals: UL Listed, UL916, C-UL, CE
Housing Rating: UL Accepted for Use in Plenum,
 NEMA 1
Gold Flash: No
Override Switch: No

Contact Ratings:
 5 Amp Resistive @ 120 Vac
 5 Amp Electronic Ballast @ 120 Vac
 5 Amp Magnetic Ballast @ 120 Vac
 5 Amp Tungsten @ 120 Vac

Power Usage:
 21 mA @ 120 Vac Max.

Notes:

• By default, the Magnetic Switch being closed turns the light off. To reverse this (Magnetic Switch Closed turns the light **on**), add "-NC" to end of model number. See table below:

Model #	Magnetic Switch Closed	Magnetic Switch Open
CLC106	Light OFF	Light ON
CLC106-NC	Light ON	Light OFF

Retrofit Applications

- Easily fits inside junction box
- Includes magnetic door switch. When the magnet and contact are separated, the closet light turns on.
- 120 Vac operation

