

# LPU

## LED Undercabinet Lighting

### Specifications/Features

#### Housing

120V Triac dimmable  
 250 Lumens / 4W per foot  
 Integral driver in each unit  
 Superior versatility, color rendering and efficiency.  
 Resistant to shock and vibration.  
 No infrared or ultraviolet radiation.  
 Thin profile; less than 1" in depth.  
 Bronze or white finish with frosted lens; available in 3 lengths. Other sizes available; please consult the factory.  
 Each unit includes one End-to-End connector.  
 Hardwire and plug-and-play power connectors sold separately.  
 Assorted flexible connections allow for continuous row applications as well as applications with bends and corners.  
 Linkable to 400W max.  
 Integral ON/OFF switch

#### Lamp

CCT: 3000K. Other color temperatures are available; please consult the factory.  
 CRI: 80+  
 12": 4W / 250lm  
 24": 8W / 500lm  
 33": 10W / 675lm

#### Mounting

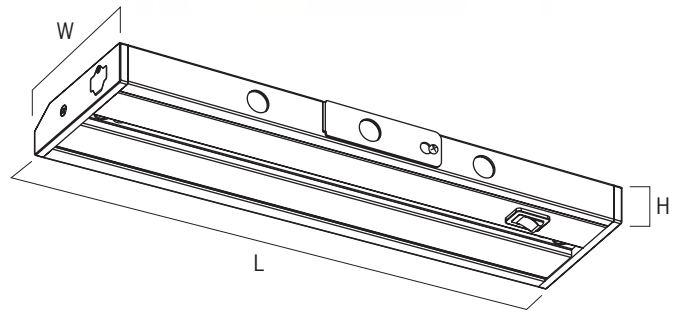
Built in LED driver and large knockout plate in the back makes for effortless installation.

#### Warranty

This complete fixture is covered by ConTech's full five (5) year replacement guarantee after date of purchase.

#### Listing

cULus listed. Suitable for dry locations.



MODEL	L	W	H
LPU12	12-1/4"	3-5/8"	15/16"
LPU24	24-1/4"	3-5/8"	15/16"
LPU33	32-3/4"	3-5/8"	15/16"

### Ordering Information

Example Order:  -

Fixture	Length	Color Temp	Finish
<input type="text" value="LPU"/>	<input type="text" value="12 - 12-1/4"/> <input type="text" value="24 - 24-1/4"/> <input type="text" value="33 - 32-3/4"/>	<input type="text" value="30K - 3000K"/>	<input type="text" value="BR - Bronze"/> <input type="text" value="P - White"/>

Accessories

- LPACE-(B,P)** - End-to-End Connector
- LPAC6-(B,P)** - 6" Jumper Cable
- LPAC12-(B,P)** - 12" Jumper Cable
- LPAC24-(B,P)** - 24" Jumper Cable
- LPAC72-(B,P)** - 72" Jumper Cable
- LPAHW72-(B,P)** - 72" 3-Wire Hardwire Connector
- LPAPL72-(B,P)** - 72" Plug-and-Play Connector

Finish Codes: -B (Black), -P (White)