



This low-cost, all-purpose floodlight is available in 15, 20 and 30 Watt versions and delivers up to 4200 lumens. Optional photocell is available.

Color: Bronze

Weight: 3.7 lbs

Project:	Type:
Prepared By:	Date:

Driver Info		LED Info	
Type	Constant Current	Watts	30W
120V	0.26A	Color Temp	5000K (Cool)
208V	0.16A	Color Accuracy	77 CRI
240V	0.14A	L70 Lifespan	60,000
277V	0.12A	Lumens	4,162
Input Watts	31W	Efficacy	134.3 LPW

Technical Specifications

Listings

UL Listing:

Suitable for wet locations

DLC Listed:

This product is listed by Design Lights Consortium (DLC) as an ultra-efficient premium product that qualifies for the highest tier of rebates from DLC Member Utilities.

DLC Product Code: PX5516MJ

IESNA LM-79 & LM-80 Testing:

RAB LED luminaires and LED components have been tested by an independent laboratory in accordance with IESNA LM-79 and LM-80.

Electrical

Dimming Driver:

Driver includes dimming control wiring for 0-10V dimming systems. Requires separate 0-10V DC dimming circuit. Dims as low as 10%.

Photocell:

120-277V Button Photocell Included. Photocell is compatible with 120V-277V.

Driver:

Constant Current, Class 2, 50/60 Hz, 2kV, 120 - 277VAC 120: 0.26A, 208V: 0.16A, 240V: 0.14A, 277V: 0.12A

THD:

10.5% at 120V, 17% at 277V

Power Factor:

98.8% at 120V, 91.6% at 277V

LED Characteristics

Note:

All values are typical (tolerance +/- 10%)

LEDs:

Long-life, high-efficacy surface mount LEDs

Lifespan:

60,000-hour LED lifespan based on IES LM-80 results and TM-21 calculations

Color Uniformity:

RAB's range of CCT (Correlated Color Temperature) follows the guidelines of the American National Standard for Specifications for the Chromaticity of Solid State Lighting (SSL) Products, ANSI C78.377-2017.

Optical

NEMA Type:

7H x 6V Beam Spread

Construction

IP Rating:

Ingress Protection rating of IP66 for dust and water

Maximum Ambient Temperature:

Suitable for use in 40°C (104°F)

Cold Weather Starting:

Minimum starting temperature is -40°C (-40°F)

Housing:

Precision die-cast aluminum housing and mounting arm

Lens:

Frosted acrylic

Mounting:

Mounting arm with "O" ring seal, wire seal plug and stainless steel screw

Technical Specifications (continued)

Construction

Gaskets:

High-temperature silicone gaskets

Green Technology:

Mercury and UV free. RoHS-compliant components.

Other

5 Yr Limited Warranty:

The RAB 5-year, limited warranty covers light output, driver performance and paint finish. RAB's warranty is subject to all terms and conditions found at www.rablighting.com/legal#warranty

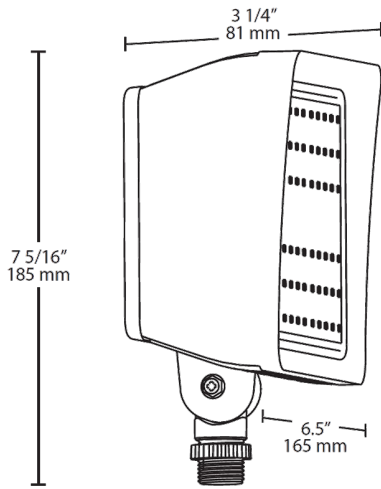
Equivalency:

Equivalent to 100W Metal Halide

Buy American Act Compliance:

RAB values USA manufacturing! Upon request, RAB may be able to manufacture this product to be compliant with the Buy American Act (BAA). Please contact customer service to request a quote for the product to be made BAA compliant.

Dimensions



Features

- 60,000-hour LED lifespan
- Standard 0-10V dimming driver
- 5-Year, Limited Warranty

Ordering Matrix

Family	Wattage	Color Temp	Finish	Driver	Sensor Options	Other Options
PIP	30			/D10	/PCU	
	15 = 15W 20 = 20W 30 = 30W 45 = 45W	Blank = 5000K (Cool) N = 4000K (Neutral) Y = 3000K (Warm)	Blank = Bronze W = White	/D10 = 0-10V Dimming	Blank = No Photocell /PCU = 120-277V Button Photocell	USA = BAA Compliant Blank = Standard