



Easy to install 4" rough-in with die-cast aperture ring, removable driver, thermal protector and adjustable butterfly brackets. This rough-in is designed to make new construction recessed downlighting easy .

Color: N/A

Weight: 2.0 lbs

**Project:**

**Type:**

**Prepared By:**

**Date:**

### Driver Info

Type: Constant Current  
 120V: 0.12A  
 208V: 0.08A  
 240V: 0.07A  
 277V: 0.06A  
 Input Watts: See Trim Module\*  
 Efficiency: N/A

### LED Info

Watts: 12W  
 Color Temp: N/A  
 Color Accuracy: 90 CRI  
 L70 Lifespan: N/A  
 Lumens: See Trim Module\*  
 Efficacy: N/A

## Technical Specifications

### Listings

#### UL Listed:

Suitable for wet locations covered ceiling

#### ENERGY STAR® V2.0:

This product is ENERGY STAR® Version 2.0 Certified.

### Construction

#### Housing Component:

This component must be ordered with New Construction Round Trim Module in order to make a complete fixture.

#### Ambient Temperature:

Suitable for use in 40°C (104°F) ambient temperatures

#### Cold Weather Starting:

Minimum starting temperature is -40°C (-40°F)

#### Aperture Size:

4" Rough-In

#### Drop Ceiling Installation:

NDLED can be installed in drop ceiling tiles when using optional c-channel bars and following local construction codes

#### Junction Box:

Integral junction box with wiring capacity for Min 90°C supply conductors  
 4 in 4 out

#### Mounting:

Housing includes nailer bars and butterfly brackets. Brackets also accommodate mounting with 1/4" to 1/2" bar stock, C channel or 1/2" conduit.

#### Easy Installation:

The EZConnector makes installation easy

#### Thermal Protector:

Thermal protector included. Disables power if temperature exceeds safe operation levels.

### Electrical

#### Driver:

ELV, 0-10V and TRIAC Dimming, Constant Current, Class 2, 120V-277V, 50/60Hz, Power Factor 98%, THD ≤ 20%

#### Emergency Battery Backup:

Battery backup will operate the LED Lamp for 90 minutes if power fails. Wired for 120V.

#### Dimming Driver:

0 - 10V (at 120-277V), TRIAC and ELV (at 120V only).

### Other

#### Equivalency:

Equivalent to 75W R30

#### Air Tight:

Housing certified Air Tight as per ASTM E283

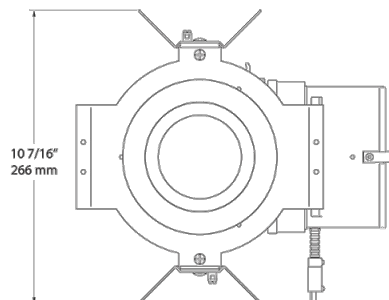
#### Warranty:

RAB warrants that our LED products will be free from defects in materials and workmanship for a period of five (5) years from the date of delivery to the end user, including coverage of light output, color stability, driver performance and fixture finish. RAB's warranty is subject to all terms and conditions found at

#### Buy American Act Compliance:

RAB values USA manufacturing! Upon request, RAB may be able to manufacture this product to be compliant with the Buy American Act (BAA). Please contact customer service to request a quote for the product to be made BAA compliant.

### Dimensions



### Features

Butterfly bracket allows mounting with bar stock, "C" channel, 1/2" conduit or nailer bars

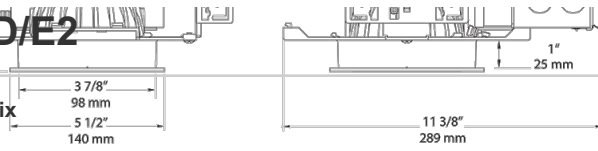
Low-profile design allows for installation in ceilings with limited space

Sturdy design with die cast aperture frame

# ND4R12D/E2



## Ordering Matrix



Family	Type	Size	Shape	Driver	Wattage	Battery Backup	Lightcloud
ND	^	4	R	D	12	/E2	^
Blank = Standard IC = Insulation Contact (IC)		4 = 4"	R = Round	D = Universal Dimming	12 = 12W 20 = 20W	Blank = No Battery Backup /E2 = 120-277V Backup	Blank = No Lightcloud /LC = Lightcloud