



Low-maintenance, high-efficiency LED retrofit fixture installs on standard junction boxes.

Color: White

Weight: 2.2 lbs

**Project:**

**Type:**

**Prepared By:**

**Date:**

**Driver Info**

Type: Constant Current  
 120V: 0.09A  
 208V: N/A  
 240V: N/A  
 277V: N/A  
 Input Watts: 10W  
 Efficiency: 94%

**LED Info**

Watts: 10W  
 Color Temp: 4000K (Neutral)  
 Color Accuracy: 82 CRI  
 L70 Lifespan: 50,000  
 Lumens: 1,140  
 Efficacy: 108 LPW

## Technical Specifications

**Listings**

**UL Listing:**

Suitable for damp locations. For indoor use only.

**ENERGY STAR V2.0:**

This product is ENERGY STAR® Version 2.0 Certified.

**IESNA LM-79 & LM-80 Testing:**

RAB LED luminaires and LED components have been tested by an independent laboratory in accordance with IESNA LM-79 and LM-80.

**LED Characteristics**

**Lifespan:**

50,000-hour LED lifespan based on IES LM-80 results and TM-21 calculations

**LEDs:**

Long-life, high-efficacy surface mount LEDs

**Color Consistency:**

3-step MacAdam Ellipse binning to achieve consistent fixture-to-fixture color

**Color Stability:**

LED color temperature is warrantied to shift no more than 200K in CCT over a 5 year period

**Color Uniformity:**

RAB's range of CCT (Correlated Color Temperature) follows the guidelines of the American National Standard for Specifications for the Chromaticity of Solid State Lighting (SSL) Products, ANSI C78.377-2017.

**Electrical**

**Driver:**

120VAC TRIAC, Constant Current, Class 2, 60 Hz, 0.09A

**Dimming Driver:**

Compatible with TRIAC dimming at 120V.

**THD:**

22% at 120V

**Power Factor:**

95.9% at 120V

**Construction**

**Cold Weather Starting:**

The minimum starting temperature is -20°C (-4°F)

**Maximum Ambient Temperature:**

Suitable for use in 40°C (104°F)

**Housing:**

Steel sheet metal

**Mounting:**

Ceiling or wall mount to junction box

**Reflector:**

White painted, reflective, die formed painted steel

**Lens:**

Diffused Polymethyl Methacrylate (PMMA)

**Green Technology:**

Mercury and UV-free. RoHS compliant components.

**Other**

**Warranty:**

RAB warrants that our LED products will be free from defects in materials and workmanship for a period of five (5) years from the date of delivery to the end user, including coverage of light output, color stability, driver performance and fixture finish. RAB's warranty is subject to all terms and conditions found at

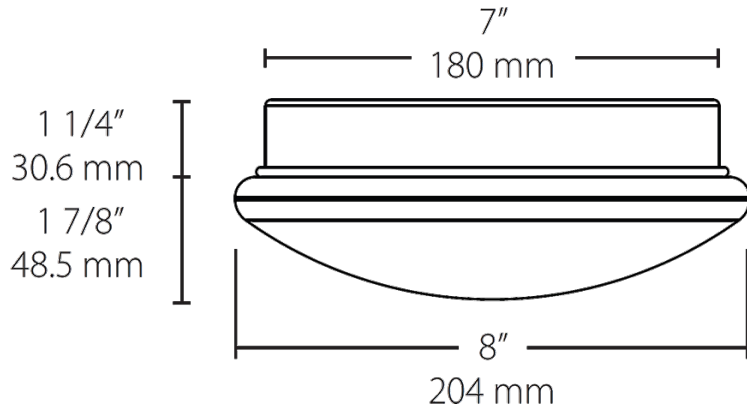
**Equivalency :**

Equivalent to (2) 9W CFL or (1) 24W Circline

**Buy American Act Compliance:**

RAB values USA manufacturing! Upon request, RAB may be able to manufacture this product to be compliant with the Buy American Act (BAA). Please contact customer service to request a quote for the product to be made BAA compliant.

### Dimensions



### Features

- Surface mount to ceiling or wall
- Opal lens provides soft, smooth light
- Compatible with TRIAC dimming

### Ordering Matrix

Family	Size	Wattage	Style	Color Temp
SK	8XL	10	R	N
	21XL = 21" XL	10 = 10W (8" only)	R = Round Basic	N = 4000K (Neutral)
	16XL = 16" XL	12 = 12W (12" only)	RD = Round w/ Decorative Ring	YN = 3500K (Warm Neutral)
	12XL = 12" XL	20 = 20W (16" only)		Y = 3000K (Warm)
	8XL = 8" XL	25 = 25W (21" only)		YY = 2700K (Residential Warm)