

### APPLICATIONS

Mobern's SAL area light is a highly efficient, long life, low profile wet location rated luminaire that provides uniform illumination that is perfect for auto dealerships, parking lots, walkways, roadways, campuses, facade lighting, grocery stores and other public areas.

### FEATURES & BENEFITS

- ◆ One piece die-cast aluminum housing with outstanding corrosion protection
- ◆ UV resistant polycarbonate optical lens
- ◆ Round pole and square pole mounting, direct wall mounting, slip fitter
- ◆ Long lasting L70 ≥ 50,000 hrs
- ◆ IP66 rated
- ◆ Operated temperature range: -40°C to 45°C (-40°F to 113°F)
- ◆ Type III distribution standard
- ◆ <sub>c</sub>UL<sub>US</sub> Wet Location listed



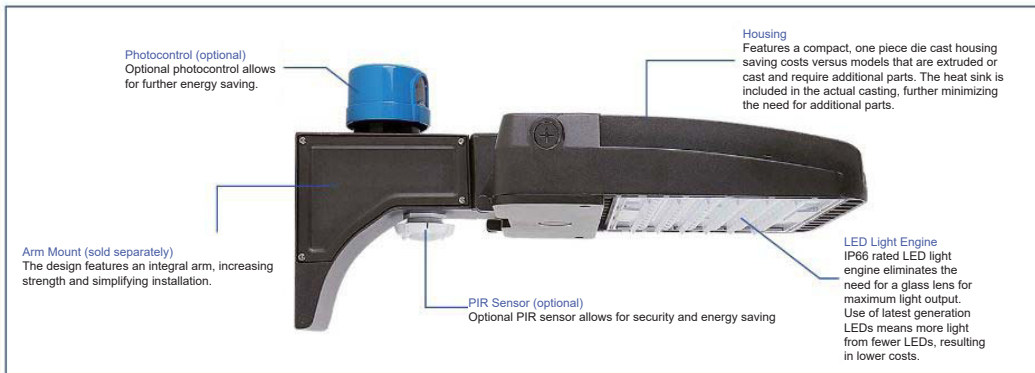
### ORDERING DATA

EXAMPLE: SAL12LED70DMV50

SAL			LED							
Series	Size	Distribution	Gear	Lamp Wattage		Driver	Finish	Color Temp		Options
SAL Area Light	12 12 inch	(Blank) Type 3	LED	70 105	70 Watts 9000 Lumens 105 Watts 13400 Lumens	DMV 120-277VAC 0-10V dimmable	(Blank) BK SG WH	40 50	4000K 5000K	SP Surge Protection

### Accessories

- SAL-SQ-ARM** Square pole mntg arm for SAL series BRZ
- SAL-RD-ARM** Round pole mntg arm for SAL series BRZ
- SAL-SF** Slip fitter mntg for SAL series BRZ
- SAL-WALL-ARM** Wall mntg for SAL series BRZ
- SAL-SQ-ARM-PCMV** Square arm with 120-277V photocell
- SAL-RD-ARM-PCMV** Round arm with 120-277V photocell



Dimensions and specifications subject to change without notice.

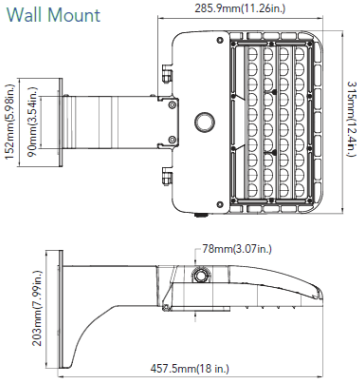


◆ 800-444-WATT ◆ www.mobern.com ◆  
8200 Stayton Dr., Ste. 500, Jessup, MD 20794

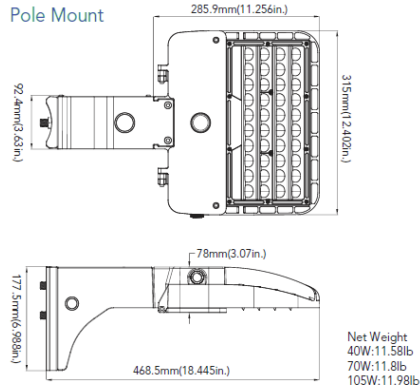
CAT#	
JOB NAME	
TYPE	

### DIMENSIONS

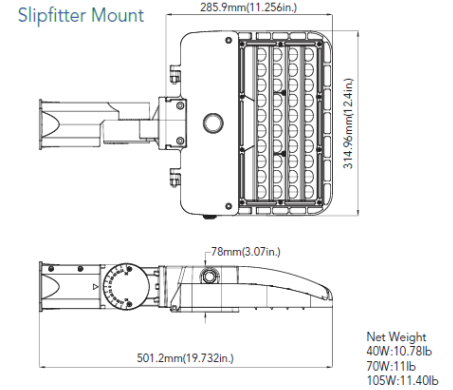
Wall Mount



Pole Mount



Slipfitter Mount



### SAL-SQ-ARM

### SAL-RD-ARM



Arm Mount (4" and 5" Square & Round Poles)  
Standard versatile mounting arm is simple to install and can be used with existing poles for retrofit installation.

### SAL-SF



Slipfitter Mount  
An optional cast aluminum mast arm adapter secures fixture head to nominal 2" (2-3/8" O.D. pipe size) horizontal tenon arm.

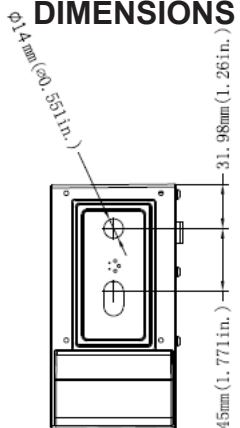
### SAL-WALL-ARM



Wall Mount  
Wall mount is easy to install for direct wall mounting with 1/2" conduit wiring or standard J-box mounting.

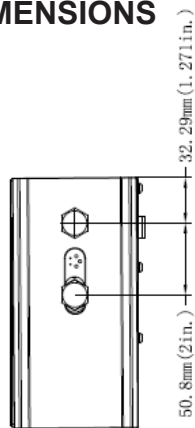
### SAL-SQ-ARM

### DIMENSIONS



### SAL-RD-ARM


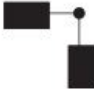





### DIMENSIONS



Dimensions and specifications subject to change without notice.



### EPA OF AREA LIGHT

Item							
	1	2 @90°	2 @120°	2@180°	3 @90°	3 @120°	4 @90°
150W/200W	0.667	0.742	1.162	1.165	1.167	1.163	1.167

Dimensions and specifications subject to change without notice.

