

# P750MLTAC5M

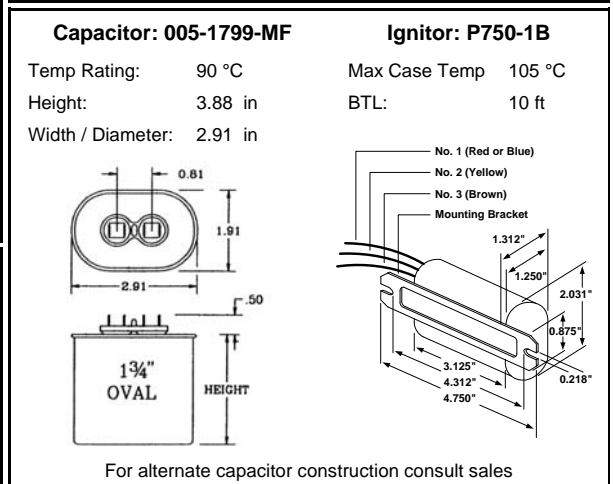
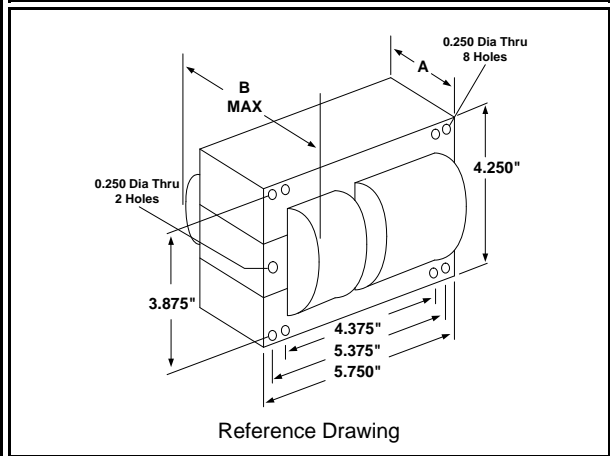
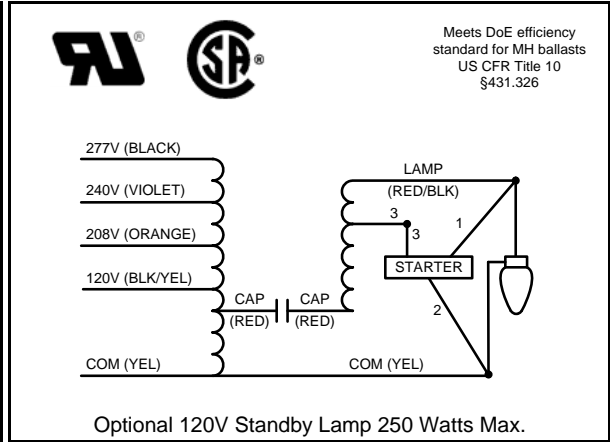
750W M149

Pulse Start Metal Halide

60Hz CWA

## Specification Sheet

<b>Input Volts</b>	120	208	240	277
<b>Regulation</b>				
Line Volts	±10%	±10%	±10%	±10%
Lamp Watts	±10%	±10%	±10%	±10%
Power Factor (min)	90%	90%	90%	90%
Input Watts	825 W	825 W	825 W	825 W
NOM. Open Circuit Voltage	340 V	340 V	340 V	340 V
<b>Line Current (Amps)</b>				
Operating	7.10	4.10	3.55	3.10
Open Circuit	5.15	2.95	2.55	2.2
Starting	4.50	2.60	2.25	1.95
Recommended Fuse (Amps)	18	10	10	8
Lamp Dropout Voltage (Line)	70 V	125 V	145 V	165 V
<b>UL Temperature Ratings</b>				
Insulation Class	H (180°C)	H (180°C)	H (180°C)	H (180°C)
Temperature Code	D	A	B	B
MIN. Starting Temperature	-22°F -30°C	-22°F -30°C	-22°F -30°C	-22°F -30°C
<b>CAPACITOR Specifications</b>				
Microfarads	28 uf	28 uf	28 uf	28 uf
Volts (min.)	400 V	400 V	400 V	400 V
<b>60Hz Test Procedures</b>				
High Potential Test 1 Minute	2000 V	2000 V	2000 V	2000 V
High Potential Test 1 Second	2500 V	2500 V	2500 V	2500 V
Secondary Open Ckt Voltage (V)	305 - 380	305 - 380	305 - 380	305 - 380
Secondary Current Shorted (A)	4.75 - 5.85	4.75 - 5.85	4.75 - 5.85	4.75 - 5.85
Input Operating Current (A)	6.45 - 7.90	3.55 - 4.40	3.20 - 4.00	2.75 - 3.45
Input Open Circuit Current (A)	2.50 - 7.20	1.45 - 4.10	1.40 - 3.95	1.10 - 3.15
Input Short Circuit Current (A)	3.30 - 5.00	1.90 - 2.90	1.60 - 2.50	1.40 - 2.20
<b>Core and Coil Specifications</b>				
Dimension A	2.80 in	2.80 in	2.80 in	2.80 in
Dimension B	4.80 in	4.80 in	4.80 in	4.80 in
Weight	18.00 lbs	18.00 lbs	18.00 lbs	18.00 lbs
Lead Lengths (inches)	12-14	12-14	12-14	12-14
Coil Material (Pri. / Sec.):	Cu / Al	Cu / Al	Cu / Al	Cu / Al



Document #:	010-11060-03
Date:	11/19/2008
Status:	Production
Replaces Catalog #:	New Design

Data is based upon tests performed by Universal Lighting Technologies in a controlled environment and is representative of relative performance. Actual performance may vary depending on operating conditions. Specifications are subject to change without notice.

**Universal Lighting Technologies**

26 Century Blvd. Suite 500 - Nashville, TN 37214

Phone 1-800-225-5278 Fax 1-800-206-0035

www.unvlt.com

11/10/2016