

Carlton®

Rigid Non-Metallic Conduit Fittings & Accessories

T&B Catalog Number:

E978HC-CAR

UPC Number:

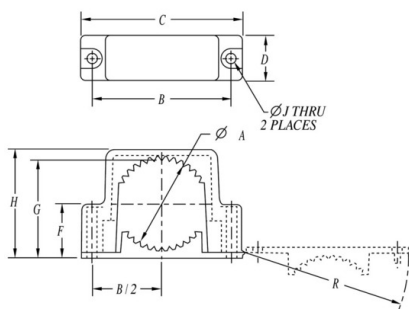
03448113066

Status:

Active

Description:

Conduit Support Strap, Size 1-1/2 Inch, Length 3.53 Inches, Width 1 Inch, Height 2.40 Inches, Material Polypropylene, Color Gray, Pack of 15



Features

High strength, non-metallic clamp allows conduit to expand and contract freely, eliminating the bowing commonly seen from the expansion and contraction of conduit caused by varying temperature changes.

Carlton's Snap Strap offers a unique support strap designed especially for the installation of PVC conduit.

Also usable for installations of rigid steel.

Finished installations have a neat, attractive appearance on exposed applications.

Application

UV inhibited for use in direct sunlight

To be used in accordance with conduit spacing requirements per NEC, Section 352.30.

General

Trade Size (inches)	1 1/2
Material	Non-Metallic

Dimension Information

A (mm)	48.77
B (mm)	77.5
C (mm)	89.7
D (mm)	25.4
F (mm)	27.4
A (inches)	1.92
B (inches)	3.05
C (inches)	3.53
D (inches)	1
F (inches)	1.08
G (inches)	2.04
H (inches)	2.4
H (mm)	60.96
J (inches)	0.218
R (inches)	3.58
Size (mm)	41

Packaging

T&B Order Multiple	15
Package in Units	15
T&B Sold in UOM	Each
T&B Weight Per UOM	8 lbs. per 100

Application Support

T&B Sales Drawings	wsd-ac03030
Specifications & Applications	Available on Website

For further technical assistance, please contact us...

Thomas & Betts - USA
8155 T&B Blvd.
Memphis, TN 38125
www.tnb.com

T&B Technical Support
MS 3B-50
8155 T&B Blvd.
Memphis, TN 38125

Hours: 7AM - 6PM CDT
Monday-Friday
Phone: (888) 862-3289
Fax: (901) 252-1321
Email: techsupport@tnb.com