

DESCRIPTION

The Lumark Warrior offers a variety of lamp and mounting options in high pressure sodium and metal halide, and can be installed, lamped and serviced with the most basic tools. U.L. listed and labeled for wet locations. CSA certified. The Warrior is the ideal floodlight for many area outdoor lighting situations, including parking lots, construction and storage sites, rail yards, light industrial locations, marinas and service areas.

Catalog #		Type
Project		
Comments		Date
Prepared by		

SPECIFICATION FEATURES

Construction

RETAINING SCREWS: Corrosion-resistant captive retaining screws.
HOUSING: Weather-resistant, die-cast aluminum housing with integral door hinges is finished in dark bronze polyester powder coat.
HOUSING DOOR: Watertight die-cast aluminum housing door is finished in dark bronze polyester powder coat. Cast ridge for water tight seal against gasketing.
GASKET: Full circumference, high-temperature foam-in-place silicone gasketing seals out external contaminants.

Electrical

SOCKET: Mogul-base porcelain socket, except 100W Metal Halide and below has medium-base.
BALLAST: High power factor ballast with class H insulation. Minimum starting temperature is -40°C (-40° F) for HPS and -30°C (-20°F) for MH and MP.

Mounting

Variable mountings of either 3/16" galvanized steel trunnion (shown below) or integral die-cast aluminum slipfitter (shown in photo to right). Slipfitter fits 2 3/8" - 3" O.D. tenon. Heavy-duty steel yoke provides flexibility in mounting and aiming from a variety of surfaces.

Optical

REFLECTOR: Specular aluminum reflector delivers sharp beam cutoff.
LENS: Clear tempered-glass lens is heat and impact-resistant.



WR WARRIOR

100 - 400W

Pulse Start Metal Halide

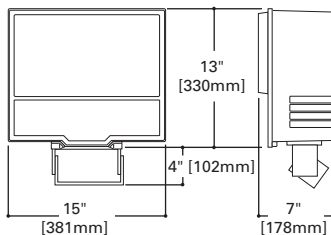
Metal Halide

High Pressure Sodium

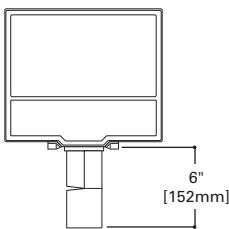
SLIPFITTER-, TRUNNION- OR YOKE-MOUNTED FLOODLIGHT

DIMENSIONS

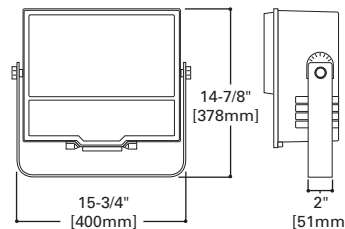
TRUNNION MOUNT



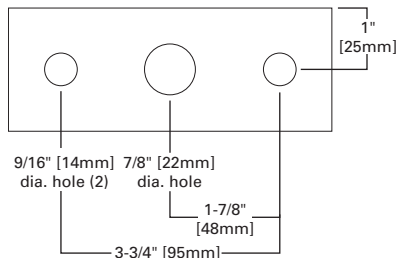
SLIPFITTER MOUNT



YOKE MOUNT



TRUNNION YOKE MOUNT DRILL PATTERN



LAMP TYPE	WATTAGE
Pulse Start Metal Halide (MP)	100, 150, 200, 250, 320, 350, 400W
Metal Halide (MH)	175, 250, 400, 250/400W
High Pressure Sodium (HP)	100, 150, 250, 400W

TECHNICAL DATA

U.L. Wet Location Listed
 CSA Certified
 25°C Maximum Ambient Temperature
 External Supply Wiring 90°C Minimum
 Internal Supply Wiring 150°C Minimum
 EISA Compliant ©

ENERGY DATA

High Reactance Ballast Input Watts

100W HPS NPF (130 Watts)
 100W MP NPF (128 Watts)
 150W HPS HPF (190 Watts)
 150W MP HPF (185 Watts)

CWI Ballast Input Watts

250W HPS HPF (300 Watts)

CWA Ballast Input Watts

200W MP HPF (227 Watts) ©
 250W MP HPF (283 Watts) ©
 320W MP HPF (365 Watts) ©
 350W MP HPF (400 Watts) ©
 400W HPS HPF (465 Watts)
 400W MP HPF (452 Watts) ©

EPA

Effective Projected Area: 1.3 @ 45°

SHIPPING DATA

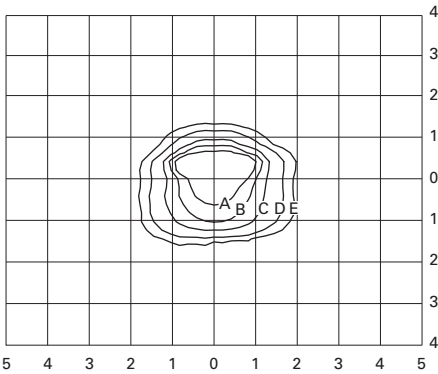
Approximate Net Weight:
 35 lbs. (16 kgs.)



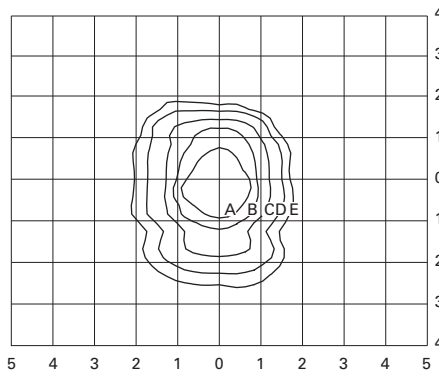
ADH082294

2010-09-15 13:35:12

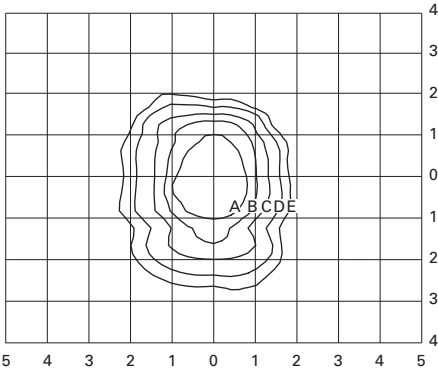
PHOTOMETRICS



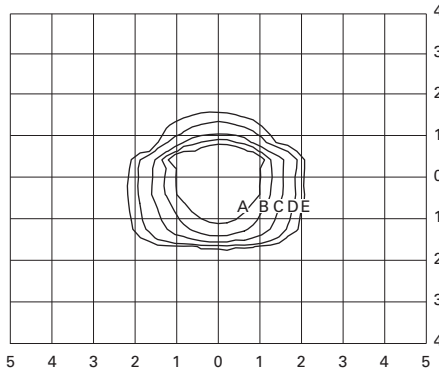
MPWR-65S-250
250—Watt MP
22,000—Lumen Clear Lamp



MPWR-65S-320
320—Watt MP
30,000—Lumen Clear Lamp



MPWR-65S-400
400—Watt MP
42,000—Lumen Clear Lamp



HPWR-65S-400
400—Watt HP
50,000—Lumen Clear Lamp

Footcandle Table

Select mounting height and read across for footcandle values of each isofootcandle line. Distance in units of mounting height.

Mounting Height	Footcandle Values for Isofootcandle Lines				
	A	B	C	D	E
20'	4.50	2.25	1.13	0.56	0.23
25'	2.88	1.44	0.72	0.36	0.14
30'	2.00	1.00	0.50	0.20	0.10

Footcandle Table

Select mounting height and read across for footcandle values of each isofootcandle line. Distance in units of mounting height.

Mounting Height	Footcandle Values for Isofootcandle Lines				
	A	B	C	D	E
20'	4.50	2.25	1.13	0.56	0.23
25'	2.88	1.44	0.72	0.36	0.14
30'	2.00	1.00	0.50	0.20	0.10

ORDERING INFORMATION

Sample Number: MPWR-65S-100-120V

Lamp Type MP =Pulse Start Metal Halide MH =Metal Halide ¹ HP =High Pressure Sodium Series WR = Warrior	Distribution 65 =6H x 5V Beam Spread Mounting S = Slipfitter T = Trunnion Y = Yoke	Lamp Wattage ² MP 100 =100W 150 =150W 200 = 200W 250 = 250W 320 = 320W 350 = 350W 400 = 400W MH 175 = 175W ¹ 250 = 250W ¹ 400 = 400W ¹ 250/400 = 250/400W ¹ (Wired 250) HP 100 = 100W 150 = 150W 250 = 250W 400 = 400W	Voltage ³ 120V 208V 240V 277V 347V ⁴ 480V MT TT ⁴ 5T ⁵	Options ⁶ F1 =Single Fuse (120, 277 or 347V only) F2 =Double Fuse (208, 240 or 480V only) Q = Quartz Restrike (Hot Strike Only) EM = Quartz Restrike with "Delay Relay" (Quartz lamp strikes at both hot and cold starts) EM/SC = Emergency Separate Circuit LL = Lamp Included PER = NEMA Twistlock Photocontrol Receptacle PC = Button Type Photocontrol ⁷ C23 = 3' of 12-3 Cord, Prewired (Specify Single Voltage) C42 = 2' of 14-3 Cord, Prewired (Specify Single Voltage) C43 = 3' of 14-3 Cord, Prewired (Specify Single Voltage) C63 = 3' of 16-3 Cord, Prewired (Specify Single Voltage)	Accessories TYSXX =Trunnion or Yoke Slipfitter for 2 3/8", 3", or 3 1/2" O.D. Tenon WG/WR =Wireguard VG/WR =Vandal Shield RABXX = Right Angle Pipe Bracket for Slipfitter SAB-XX = Steel Angle Bracket for Trunnion OA/RA1014 = 120-Volt Photoelectric Control OA/RA1016 = Photoelectric Control, 105-285 Volt NEMA Type OA/RA1027 = Photoelectric Control, 480 Volt NEMA Type PB120V = Button Type Photocontrol, Field Installed (120V only). TV/WR-XX = Top Visor		

- Notes: 1 Metal Halide available in non-U.S. markets only.
 2 Medium-base socket for Metal Halide 150W and lower.
 3 Products also available in non-US voltages and 50HZ for international markets.
 4 88% efficient EISA Compliant fixtures not available in 347V or TT Voltages.
 5 5T available in 400W MH only.
 6 Must be listed in the order shown and separated by a dash.
 7 PC option not available with trunnion or yoke mount.

VOLTAGE CHART	
MT=Multi-Tap	120/208/240/277V (wired 277V)
TT=Triple-Tap	120/277/347V (wired 347V)
5T=5-Tap	120/208/240/277/480V (wired 480V)

STOCK SAMPLE NUMBER (LAMP INCLUDED)

SAMPLE NUMBER: XS15

Series X =Slipfitter W =Trunnion	Lamp Type S =High Pressure Sodium P =Pulse Start Metal Halide	Lamp Wattage 15 =150W 17 =175W 25 =250W 32 =320W 40 =400W

NOTES: Options not available with stock products. Order Accessories as separate items for field installation. Refer to standard ordering information to add options and accessories. 320W available in MP only. Refer to In-Stock Guide for availability.