



<b>Project:</b>	<b>Type:</b>
<b>Prepared By:</b>	<b>Date:</b>

Driver Info		LED Info	
Type	Constant Current	Watts	25W
120V	0.21A	Color Temp	3000K (Warm)
208V	N/A	Color Accuracy	85 CRI
240V	N/A	L70 Lifespan	50,000
277V	N/A	Lumens	2,214
Input Watts	24.80W	Efficacy	89.3 lm/W

## Technical Specifications

### Listings

#### UL Listed:

Suitable for damp locations. For indoor use only.

#### ENERGY STAR V2.0:

This product is ENERGY STAR® Version 2.0 Certified.

#### IESNA LM-79 & LM-80 Testing:

RAB LED luminaires and LED components have been tested by an independent laboratory in accordance with IESNA LM-79 and LM-80.

### Other

#### Lifespan:

50,000-hour LED lifespan based on IES LM-80 results and TM-21 calculations

#### Warranty:

RAB warrants that our LED products will be free from defects in materials and workmanship for a period of five (5) years from the date of delivery to the end user, including coverage of light output, color stability, driver performance and fixture finish. RAB's warranty is subject to all terms and conditions found at [rablighting.com/warranty](http://rablighting.com/warranty).

### Equivalency :

Equivalent to (2) 18W CFL or (1) 40W Circline

### Buy American Act Compliance:

RAB values USA manufacturing! Upon request, RAB may be able to manufacture this product to be compliant with the Buy American Act (BAA). Please contact customer service to request a quote for the product to be made BAA compliant.

### Electrical

#### Driver:

120VAC TRIAC, Constant Current, Class 2, 60 Hz, 0.21A

#### Dimming Driver:

Compatible with TRIAC dimming at 120V. See [dimmer compatibility guide here](#).

#### THD:

16.6% at 120V

### Power Factor:

98.4% at 120V

### LED Characteristics

#### LEDs:

Long-life, high-efficacy, surface-mount LEDs

#### Color Consistency:

3-step MacAdam Ellipse binning to achieve consistent fixture-to-fixture color

#### Color Stability:

LED color temperature is warranted to shift no more than 200K in color temperature over a 5-year period

## Technical Specifications (continued)

### LED Characteristics

#### Color Uniformity:

RAB's range of Correlated Color Temperature follows the guidelines of the American National Standard for Specifications for the Chromaticity of Solid State Lighting (SSL) Products, ANSI C78.377-2017.

### Construction

#### Cold Weather Starting:

The minimum starting temperature is -20°C (-4°F)

#### Maximum Ambient Temperature:

Suitable for use in 40°C (104°F)

#### Housing:

Steel sheet metal

#### Mounting:

Ceiling or wall mount to junction box

#### Reflector:

White painted, reflective, die formed painted steel

#### Lens:

Diffused Polymethyl Methacrylate (PMMA)

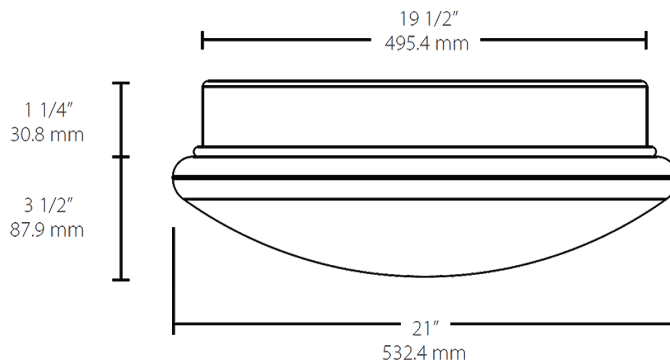
#### Green Technology:

Mercury and UV free. RoHS-compliant components.

#### Finish:

Our environmentally friendly polyester powder coatings are formulated for high-durability and long-lasting color

## Dimensions



## Features

- Surface mount to ceiling or wall
- Opal lens provides soft, smooth light
- Compatible with TRIAC dimming

## Ordering Matrix

Family	Size	Wattage	Style	Color Temp
SK	21XL	25	R	Y
<b>21XL</b> = 21" XL <b>12</b> = 12W (12" only) <b>16XL</b> = 16" XL <b>20</b> = 20W (16" only) <b>12XL</b> = 12" XL <b>25</b> = 25W (21" only) <b>8XL</b> = 8" XL <b>10</b> = 10W (8" only)		<b>R</b> = Round Basic <b>RD</b> = Round w/ Decorative Ring		<b>N</b> = 4000K (Neutral) <b>YN</b> = 3500K (Warm Neutral) <b>Y</b> = 3000K (Warm) <b>YY</b> = 2700K (Residential Warm)