



The Lightcloud Dimmer is an in-wall device that delivers remote switching, dimming and scene control. Easily trigger one of your scenes, or toggle between multiple scenes.

Color: White

Weight: 0.5 lbs

<b>Project:</b>	<b>Type:</b>
<b>Prepared By:</b>	<b>Date:</b>

## Technical Specifications

### Listings

#### UL Listing:

Indoor use only

#### DLC Listed:

This product is on the Design Lights Consortium (DLC) Qualified Products List and is eligible for rebates from DLC Member Utilities

### Electrical

#### Input Voltage:

120-277 VAC

#### Frequencies:

50/60 Hz

#### Current Draw:

14 mA @ 120VAC

10 mA @ 277VAC

### Construction

#### Operating Temperature Range:

0°C to 40°C

#### Storage Temperature Range:

-40°C to 85°C

#### Maximum Relative Humidity:

85%

#### Wire Gauge:

18AWG grounding; terminals supporting up to 12AWG wire

### Wireless Range

#### Line of Sight:

1000 feet

### Obstructions:

100 feet

### Other

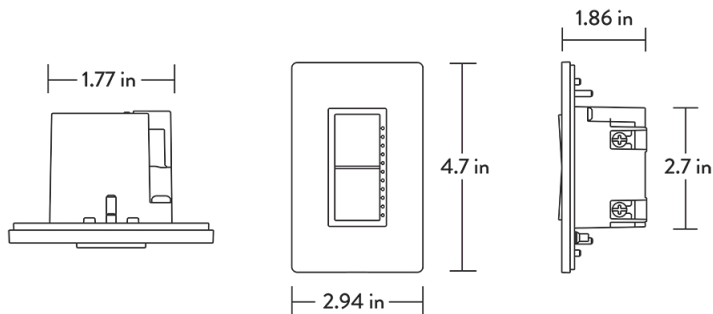
### Warranty:

10-year full hardware warranty with 100% repair/replacement coverage for all properly installed devices.

### Buy American Act Compliance:

RAB values USA manufacturing! Upon request, RAB may be able to manufacture this product to be compliant with the Buy American Act (BAA). Please contact customer service to request a quote for the product to be made BAA compliant.

## Dimensions



## Features

- In-wall device for switching, dimming and scene control
- Switch and dim individual fixtures or entire zones
- Dimming features both fade on/off and rapid full-on
- Assign scenes to top and/or bottom buttons
- Set the max trim level for a zone or fixture to save energy
- Use together with Lightcloud Controller or Sensor devices