



LED MR16

7.8MR16/PER/930/F25/Dim/EC/12V 10/1FB

Philips LED MR-16 lamps with single optic technology provide the look and color quality of traditional halogens while using a fraction of the energy. A perfect fit for spot lighting, they are compatible with most existing fixtures with MR16 GU5.3 holders and are designed as a retrofit replacement for halogen or incandescent spots.

Product data

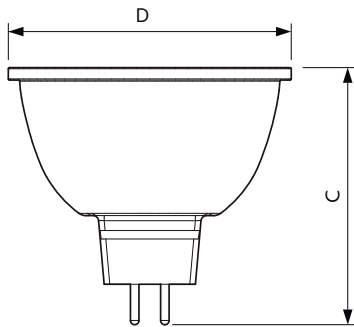
General Information		Temperature	
Base	GU5.3 [GU5.3]	Lamp Current (Nom)	880 mA
EU RoHS compliant	Yes	Wattage Equivalent	50 W
Nominal Lifetime (Nom)	25000 h	Starting Time (Nom)	0.5 s
Switching Cycle	50000X	Warm Up Time to 60% Light (Nom)	0.5 s
Technical Type	7.8-50W	Power Factor (Nom)	0.7
Light Technical		Voltage (Nom)	ac electronic 12 V
Color Code	930 [CCT of 3000K]	Temperature	
Beam Angle (Nom)	25 °	T-Case Maximum (Nom)	105 °C
Initial lumen (Nom)	480 lm	Controls and Dimming	
Luminous Intensity (Nom)	2330 cd	Dimmable	Yes
Color Designation	White (WH)	Approval and Application	
Correlated Color Temperature (Nom)	3000 K	Energy Efficiency Label (EEL)	Not applicable
Luminous Efficacy (rated) (Nom)	61.00 lm/W	Suitable For Accent Lighting	Yes
Color Consistency	<3	Energy Consumption kWh/1000 h	- kWh
Color Rendering Index (Nom)	95	Product Data	
LLMF At End Of Nominal Lifetime (Nom)	70 %	Order product name	7.8MR16/PER/930/F25/Dim/EC/12V 10/1FB
Operating and Electrical		EAN/UPC - Product	046677470173
Input Frequency	- Hz	Order code	470179
Power (Rated) (Nom)	7.8 W		

LED MR16

Numerator - Quantity Per Pack	1
Numerator - Packs per outer box	10
Material Nr. (12NC)	929001872904

Net Weight (Piece)	0.056 kg
--------------------	----------

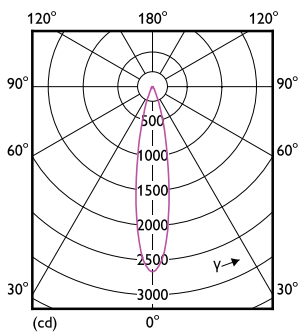
Dimensional drawing



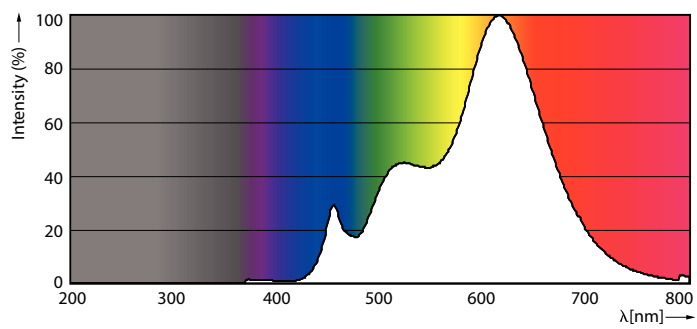
MR16 12V 7.5-50W 480lm 25D 3000K GU5.3 D

Product	D	C
7.8MR16/PER/930/F25/Dim/EC/12V 10/1FB	51 mm	46 mm

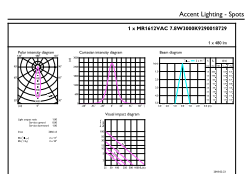
Photometric data



LEDspot 7.8W GU5.3 MR16 927 25D DIM



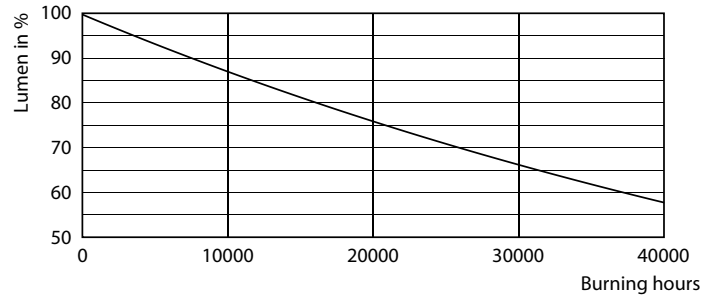
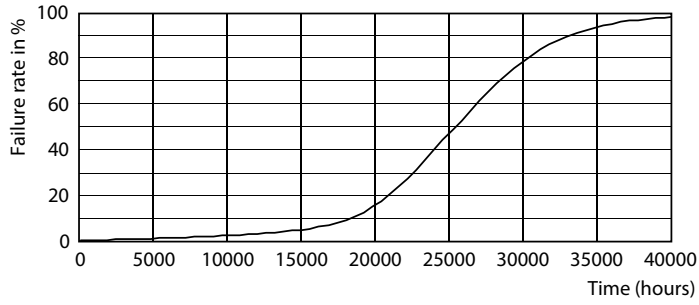
LEDspot 7.8W GU5.3 MR16 930 10D DIM



LEDspot 7.8W GU5.3 MR16 930 25D DIM

LED MR16

Lifetime



LEDspot 7.8W GU5.3 MR16 927 10D DIM

LEDspot 7.8W GU5.3 MR16 927 10D DIM

