

# 5380



UPC Code: 07847700920

Country Of Origin: Mexico

\*Eligible for ARRA funded projects > \$7,443,000

NEMA:  
5-20R



# 5380

## Brand Features

Leviton's Surge Protection Devices can be used individually or as part of a coordinated application strategy, to protect sensitive electronic equipment, in industrial, commercial and residential locations, from the stress and degradation inflicted by voltage transients. Leviton Surge Protection Devices are compliant with UL 1449 Standards. Leviton's outstanding Surge Protection Devices divert damaging voltage transients, or surges, away from electronic equipment. Transients are diverted away from sensitive micro circuitry, providing protection against catastrophic failure, costly downtime and data disruptions.

## Item Description

20 Amp, 125 Volt, 20A feed through, NEMA 5-20R, 2P, 3W, Decora Plus Duplex Receptacle, Straight Blade, Industrial Grade, Self Grounding, Surge w/ Indicator Light, Back & Side Wired, Steel Strap, - Brown

## Technical Information

### AC Horsepower Ratings

**At Rated Voltage:** 1 HP

### Electrical Specifications

**Dielectric Voltage:** Withstands 2000V per UL498

**Grounding:** Self-Grounding

**Temperature Rise:** Max 30C after 250 cycles OL at 200 percent rated current

**Voltage:** 125 Volt

**Amperage:** 20 Amp

**Current Limiting:** Full Rated Current

**Wire:** 3

**Pole:** 2

### Environmental Specifications

**Operating Temperature:** -40C to 60C

**Flammability:** Rated V-2 per UL94

### Material Specifications

**Face Material:** Thermoplastic Nylon

**Body Material:** Thermoplastic Nylon

**Ground Clips:** Brass-Plated Steel

**Terminal Screws:** Brass-Plated Steel

**Shutter Mechanism:** Delrin® Acetal

**Line Contacts:** Brass Triple-Wipe

**Yoke:** Zinc-Plated Steel

**Grounding Screw:** Brass-Plated Steel

**Clamp Nuts:** Zinc-Plated Steel

### Mechanical Specifications

**Product ID:** Ratings are permanently marked on device

**Terminal ID:** Brass-Hot, Green-Ground, Silver-Neutral

**Terminal Accom.:** 14-10 AWG

**Torque Range:** 14-16 inch pounds

### Performance Data

**Noise Rejection:** -30dB at 500kHz-30MHz

**Joules Rating:** 720

**Diagnostics:** Indicator Light

**Maximum Surge Current, Per Mode (Per Phase):** 27kA (L-N:18kA, L-G:9kA)

**MCOV:** 150V rms

**VPR:** L-N: 600V, L-G: 700V, N-G: 600V

**Short Circuit Current Rating:** 5kA

**Nominal Discharge Current Rating:** 3kA

### Product Features

**Face Material:** Thermoplastic Nylon

**Body Material:** Thermoplastic Nylon

**Color:** Brown

**NEMA:** 5-20R

### Standards and Certifications

**Agency Certifications:** UL 498, UL 1449 3rd Edition Listed and CSA C22.2 Certified Type 3

**ANSI:** C-73

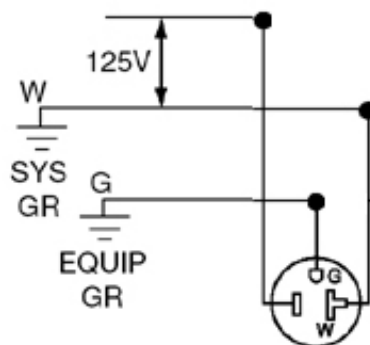
**NOM:** 057

**NEMA:** WD-6

### Warranty

**Product Warranty:** 10-Year Limited

### Wiring Diagram



5-20R

### SPECIFICATION SUBMITTAL

JOB NAME: <input style="width: 95%;" type="text"/>	CATALOG NUMBERS: <input style="width: 95%;" type="text"/>
JOB NUMBER: <input style="width: 95%;" type="text"/>	<input style="width: 95%;" type="text"/>

**Leviton Manufacturing Co., Inc.**

201 North Service Road, Melville, NY 11747

Teléfono: +1-800-323-8920 · FAX: +1-800-832-9538 · Tech Line (8:30AM-7:30PM E.S.T. Monday-Friday): +1-800-824-3005

**Leviton Manufacturing of Canada, Ltd.**

165 Hymus Boulevard, Pointe Claire, Quebec H9R 1E9 · Telephone: +1-800-469-7890 ·

FAX: +1-800-824-3005 · [www.leviton.com/canada](http://www.leviton.com/canada)

**Leviton S. de R.L. de C.V.**

Lago Tana 43, Mexico DF, Mexico CP 11290 · Tel.: (+52)55-5082-1040 · FAX: (+52)5386-

1797 · [www.leviton.com.mx](http://www.leviton.com.mx)

**Visit our Website at: [www.leviton.com](http://www.leviton.com)**

© 2012 Leviton Manufacturing Co., Inc. Todos los derechos reservados. Subject to change without notice.

**Leviton has a global presence.**

If you would like to know where your local Leviton office is located please go to:

[www.leviton.com/international/contacts/](http://www.leviton.com/international/contacts/)



*\*Leviton is the smart choice, providing the most comprehensive range of solutions to meet the needs of today's residential, commercial and industrial buildings. Leveraging more than a century of experience, Leviton helps customers create sustainable, intelligent environments through its electrical wiring devices, network and data center connectivity solutions, and lighting energy management systems. From switches and receptacles, to daylight harvesting controls, networking systems, and equipment for charging electric vehicles, Leviton solutions help customers achieve savings in energy, time and cost, all while enhancing safety.*