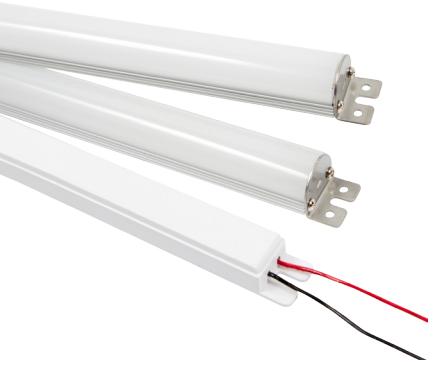


LEDBARKITJ RETROFIT FOR LINEAR FLUORESCENT LUMINAIRES



PERFECT RETROFIT FOR FL T8 AND T5/T5HO.

MAGNET FOR EASY POSITIONING TO MAKE THE INSTALLATION PROCESS A BREEZE.

EXTREMELY HIGH EFFICIENCY 130 LPW.

INCLUDES A FULL RANGE OF 2,3 AND 4FT LENGTHS.

1, 2, 3 OR 4 LED BARS PER SINGLE EXTERNAL DRIVER AND MULTIPLE CCTS.

0-10V DIMMING DRIVER IS INCLUDED.

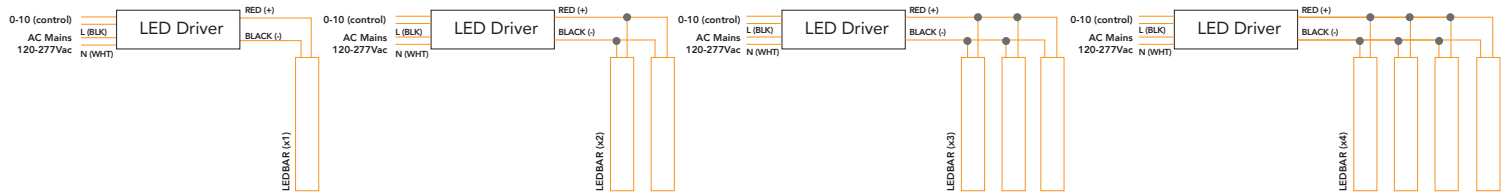


PART NUMBER BUILDER

MANUFACTURER	MODEL NUMBER	LENGTH	CRI/CCT	# OF LAMPS	OPTIONS
RPT	LEDBARKITJ				10VDIM
		24IN	830	1L	0-10V Dimmable Driver Standard
		36IN	835	2L	
		48INLO	840	3L	
		48INMO†	850	4L‡	
		48IN			

ORDERING EXAMPLE

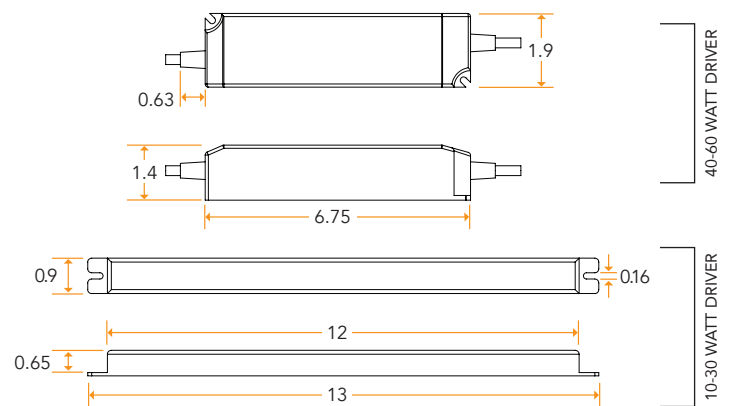
RPT-LEDBARKITJ-48IN-840-2L-10VDIM



QUICK SPECS

INPUT VOLTAGE	120-277VAC
EFFICACY	130 LPW
OPERATING TEMP	-30°C to 40°C
MAX CASE TEMP	40°C
POWER FACTOR/THD	>0.9 Power Factor, THD<15%
CRI	>80
BEAM ANGLE	120°
RATED LIFE	L70 LED Lifetime > 100,000 hrs
WARRANTY	10 years

DIMENSIONS



LED BAR PART # DIMENSIONS (IN)

RPT-LEDBARKITJ-24IN-8XX	22.5 x 1 x 1
RPT-LEDBARKITJ-24IN-8XX	34.3 x 1 x 1
RPT-LEDBARKITJ-24IN-8XX	44.5 x 1 x 1

* See ordering guide for kits on the DLC QPL

† Available in 2L only

‡ 4L kits are available for 24IN, 36IN, 48INLO, 48INMO only

LED BARKITJ RETROFIT FOR LINEAR FLUORESCENT LUMINAIRES

ORDERING GUIDE

	ENERGY STAR	DLC	PART #	LUMEN OUTPUT (LM)	WATTAGE (W)	VOLTAGE RANGE (V AC)	WARRANTY (YRS)	TRADITIONAL EQUIVALENT
2FT			RPT-LEDBARKITJ-24IN-8XX-1L-10VDIM	1300LM	10	120-277	10	1 x F17T8
		•	RPT-LEDBARKITJ-24IN-8XX-2L-10VDIM	2600LM	20	120-277	10	2 x F17T8
		•	RPT-LEDBARKITJ-24IN-8XX-3L-10VDIM	3900LM	30	120-277	10	3 x F17T8
		•	RPT-LEDBARKITJ-24IN-8XX-4L-10VDIM	5200LM	40	120-277	10	4 x F17T8
3FT			RPT-LEDBARKITJ-36IN-8XX-1L-10VDIM	1200LM	10	120-277	10	1 x F25T8
			RPT-LEDBARKITJ-36IN-8XX-2L-10VDIM	2400LM	20	120-277	10	2 x F25T8
			RPT-LEDBARKITJ-36IN-8XX-3L-10VDIM	3600LM	30	120-277	10	3 x F25T8
			RPT-LEDBARKITJ-36IN-8XX-4L-10VDIM	4800LM	40	120-277	10	4 x F25T8
4FT			RPT-LEDBARKITJ-48INLO-8XX-1L-10VDIM	1300LM	10	120-277	10	1 x F32T8 (25W)
		•	RPT-LEDBARKITJ-48INLO-8XX-2L-10VDIM	2600LM	20	120-277	10	2 x F32T8 (25W)
		•	RPT-LEDBARKITJ-48INLO-8XX-3L-10VDIM	3900LM	30	120-277	10	3 x F32T8 (25W)
			RPT-LEDBARKITJ-48INLO-8XX-4L-10VDIM	5200LM	40	120-277	10	4 x F32T8 (25W)
			RPT-LEDBARKITJ-48INMO-8XX-1L-10VDIM	1650LM	15	120-277	10	1 x F32T8 (28W)
			RPT-LEDBARKITJ-48INMO-8XX-2L-10VDIM	3300LM	30	120-277	10	2 x F32T8 (28W)
			RPT-LEDBARKITJ-48INMO-8XX-4L-10VDIM	6600LM	60	120-277	10	4 x F32T8 (28W)
			RPT-LEDBARKITJ-48IN-8XX-1L-10VDIM	2600LM	20	120-277	10	1 x F32T8
		•	RPT-LEDBARKITJ-48IN-8XX-2L-10VDIM	5200LM	40	120-277	10	2 x F32T8
		•	RPT-LEDBARKITJ-48IN-8XX-3L-10VDIM	7800LM	60	120-277	10	3 x F32T8

● DLC STANDARD ▲ DLC PREMIUM (V4.2 technical requirements) XX = 30 (3000K), 35 (3500K), 40 (4000K), 50 (5000K)

KIT COMPONENTS

KIT PART #	LED BAR PART #	LED BAR QTY	LED DRIVER PART #
RPT-LEDBARKITJ-24IN-8XX-1L-10VDIM	RPT-LEDBARKITJ-24IN-8XX	1	RPT-TDJ-10W-10VDIM-241L-361L-48LO1L
RPT-LEDBARKITJ-24IN-8XX-2L-10VDIM	RPT-LEDBARKITJ-24IN-8XX	2	RPT-TDJ-20W-10VDIM-242L-362L-48LO2L-481L
RPT-LEDBARKITJ-24IN-8XX-3L-10VDIM	RPT-LEDBARKITJ-24IN-8XX	3	RPT-TDJ-30W-10VDIM-243L-363L-48LO3L-48MO2L
RPT-LEDBARKITJ-24IN-8XX-4L-10VDIM	RPT-LEDBARKITJ-24IN-8XX	4	RPT-TDJ-40W-10VDIM-244L-364L-48LO4L-482L
RPT-LEDBARKITJ-36IN-8XX-1L-10VDIM	RPT-LEDBARKITJ-36IN-8XX	1	RPT-TDJ-10W-10VDIM-241L-361L-48LO1L
RPT-LEDBARKITJ-36IN-8XX-2L-10VDIM	RPT-LEDBARKITJ-36IN-8XX	2	RPT-TDJ-20W-10VDIM-242L-362L-48LO2L-481L
RPT-LEDBARKITJ-36IN-8XX-3L-10VDIM	RPT-LEDBARKITJ-36IN-8XX	3	RPT-TDJ-30W-10VDIM-243L-363L-48LO3L-48MO2L
RPT-LEDBARKITJ-36IN-8XX-4L-10VDIM	RPT-LEDBARKITJ-36IN-8XX	4	RPT-TDJ-40W-10VDIM-244L-364L-48LO4L-482L
RPT-LEDBARKITJ-48INLO-8XX-1L-10VDIM	RPT-LEDBARKITJ-48IN-8XX	1	RPT-TDJ-10W-10VDIM-241L-361L-48LO1L
RPT-LEDBARKITJ-48INLO-8XX-2L-10VDIM	RPT-LEDBARKITJ-48IN-8XX	2	RPT-TDJ-20W-10VDIM-242L-362L-48LO2L-481L
RPT-LEDBARKITJ-48INLO-8XX-3L-10VDIM	RPT-LEDBARKITJ-48IN-8XX	3	RPT-TDJ-30W-10VDIM-243L-363L-48LO3L-48MO2L
RPT-LEDBARKITJ-48INLO-8XX-4L-10VDIM	RPT-LEDBARKITJ-48IN-8XX	4	RPT-TDJ-40W-10VDIM-244L-364L-48LO4L-482L
RPT-LEDBARKITJ-48INMO-8XX-1L-10VDIM	RPT-LEDBARKITJ-48IN-8XX	1	RPT-TDJ-15W-10VDIM-48MO1L
RPT-LEDBARKITJ-48INMO-8XX-2L-10VDIM	RPT-LEDBARKITJ-48IN-8XX	2	RPT-TDJ-30W-10VDIM-243L-363L-48LO3L-48MO2L
RPT-LEDBARKITJ-48INMO-8XX-4L-10VDIM	RPT-LEDBARKITJ-48IN-8XX	4	RPT-TDJ-60W-10VDIM-48MO4L-483L
RPT-LEDBARKITJ-48IN-8XX-1L-10VDIM	RPT-LEDBARKITJ-48IN-8XX	1	RPT-TDJ-20W-10VDIM-242L-362L-48LO2L-481L
RPT-LEDBARKITJ-48IN-8XX-2L-10VDIM	RPT-LEDBARKITJ-48IN-8XX	2	RPT-TDJ-40W-10VDIM-244L-364L-48LO4L-482L
RPT-LEDBARKITJ-48IN-8XX-3L-10VDIM	RPT-LEDBARKITJ-48IN-8XX	3	RPT-TDJ-60W-10VDIM-48MO4L-483L

NOTE ALL KITS ARE POWERED BY 1 LED DRIVER