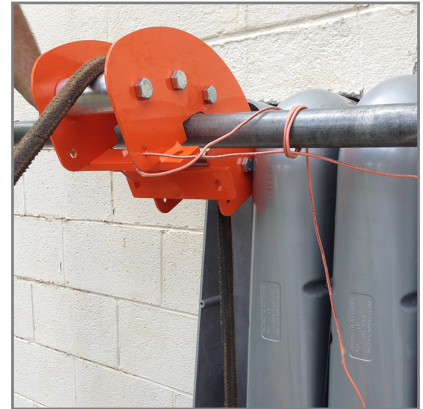


# **CURB ROLLER™**

**ROLL WIRE OVER SHARP CORNERS**

**iTOOLco.**



**Mounts over 2" rigid pipe**



**Will roll rope or wire over any edge**

Rounding curbs, edges, or pipes on wire pulls has never been easier. With iTOOLco's Curb Roller™, wire rides on five bearinged rollers for a smooth feed around any sharp corner. Perfect for many different pulling and feeding situations - curbs, manholes, in and out of electrical boxes - the five roller design makes the tool lighter than typical curb rollers.



**Great companion tool for  
iTOOLco's Real Jacks™**

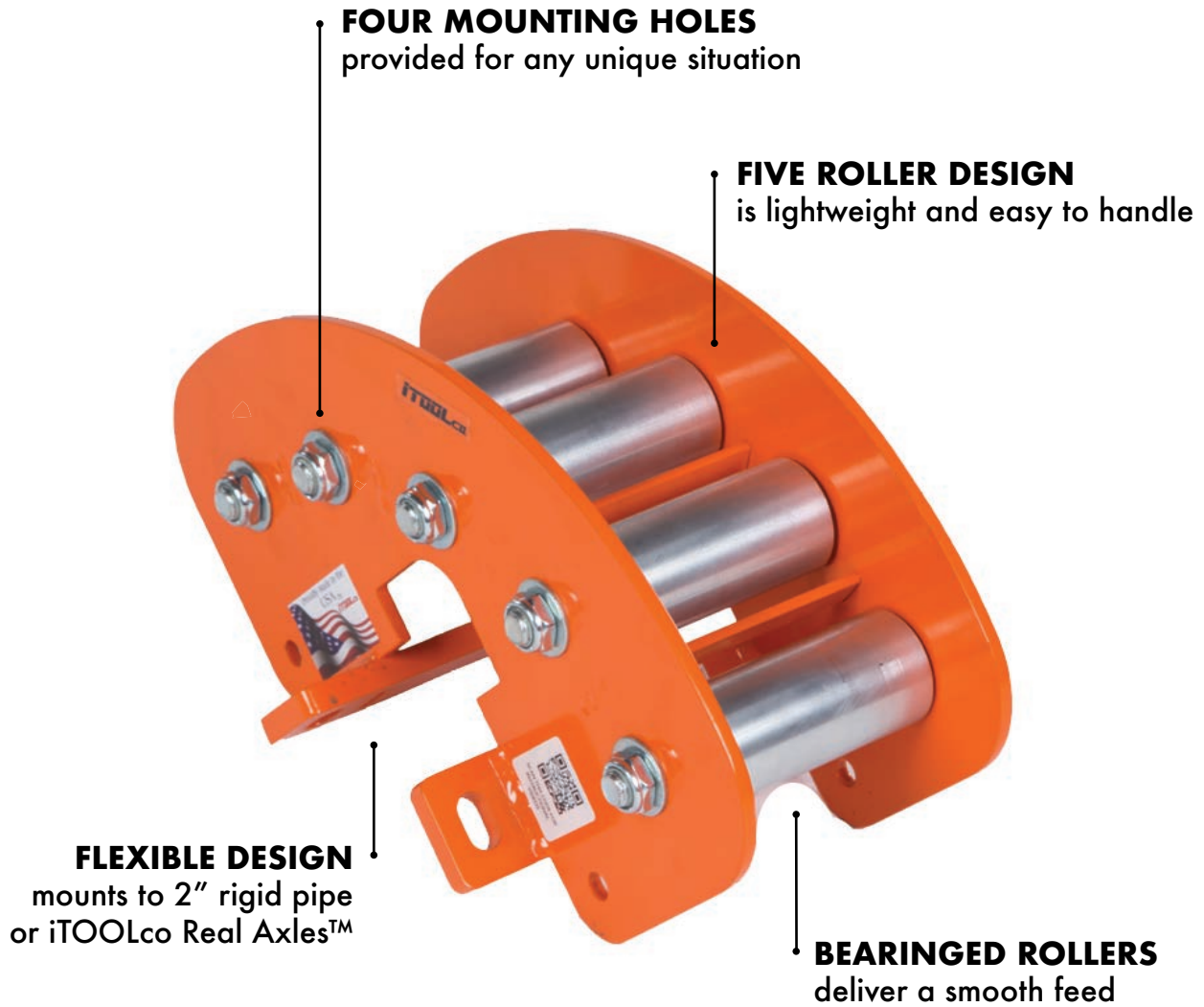


**FASTER SAFER WORKSPACE**

# CURB ROLLER™

ROLL WIRE EASIER THAN EVER

**iTOOLco.**



Model	Description	Specifications
CR10	Curb Roller™	9"L x 9"W x 16"H 25 lb.

UPC #61720999713

**6**  
YEAR  
LIMITED  
WARRANTY

MADE IN THE  
**USA**  
WITH GLOBAL  
COMPONENTS

Patent Pending