

ALED3T360SF/D10



Specification grade area lights available in IES Type III distributions. For use for roadway, general parking and other area lighting applications where a larger pool of lighting is required. Patent pending thermal management system. 5-year, no-compromise warranty.

Color: Bronze

Weight: 75.0 lbs

Project:

Type:

Prepared By:

Date:

Driver Info

Type:	Constant Current
120V:	3.0A
208V:	1.8A
240V:	1.5A
277V:	1.3A
Input Watts:	361W
Efficiency:	99%

LED Info

Watts:	360W
Color Temp:	5000K
Color Accuracy:	70 CRI
L70 Lifespan:	100000
Lumens:	36736
Efficacy:	102 LPW

Technical Specifications

Listings

UL Listing:

Suitable for wet locations

DLC Listed:

This product is on the Design Lights Consortium (DLC) Qualified Products List and is eligible for rebates from DLC Member Utilities.

DLC Product Code: PEGZ4ABM

IESNA LM-79 & LM-80 Testing:

RAB LED luminaires have been tested by an independent laboratory in accordance with IESNA LM-79 and LM-80, and have been received the Department of Energy "Lighting Facts" label

LED Characteristics

Lifespan:

100,000-hour LED lifespan based on IES LM-80 results and TM-21 calculations

LEDs:

Multi-chip, high-output, long-life LEDs

Color Consistency:

7-step MacAdam Ellipse binning to achieve consistent fixture-to-fixture color

Color Stability:

LED color temperature is warranted to shift no more than 200K in CCT over a 5 year period

Color Uniformity:

RAB's range of CCT (Correlated Color Temperature) follows the guidelines of the American National Standard for Specifications for the Chromaticity of Solid State Lighting (SSL) Products, ANSI C78.377-2017.

Construction

IES Classification:

The Type III distribution is ideal for roadway, general parking and other area lighting applications where a larger pool of lighting is required. It is intended to be located near the side of the area, allowing the light to project outward and fill the area.

Effective Projected Area:

EPA = 5

Maximum Ambient Temperature:

Suitable for use in 40°C (104°F) ambient temperatures

Cold Weather Starting:

Minimum starting temperature is -40°C (-40°F)

Thermal Management:

Superior thermal management with external "Air-Flow" fins

Lens:

Tempered glass lens

Housing:

Die cast aluminum with airflow fins for cooling

Lens:

Tempered glass

Mounting:

Slipfitter with 180° pivot available for mounting on 2 3/8" tenon

IP Rating:

Ingress Protection rating of IP66 for dust and water

Reflector:

Vacuum-metalized polycarbonate

Gaskets:

High-temperature silicone gaskets

Finish:

Formulated for high-durability and long lasting color

Green Technology:

Mercury and UV-free. RoHS compliant components. Polyester powder coat finish formulated without the use of VOCs or toxic heavy metals.

For use on LEED Buildings:

IDA Dark Sky Approval means that this fixture can be used to achieve LEED Credits for Light Pollution Reduction

Electrical

Dimming Driver:

Driver includes dimming control wiring for 0-10V dimming systems. Requires separate 0-10V DC dimming circuit. Dims as low as 10%.

Drivers:

Constant Current, Class 1, 1560mA, 100-277V, 50-60Hz, 120V: 3.0A, 208V: 1.8A, 240V: 1.5A, 277V: 1.3A

Surge Protection:

4kV

For areas prone to surges, upgrade to 10kV surge protection.

Technical Specifications (continued)

Optical

THD:

5.8% at 120V, 8.9% at 277V

Power Factor:

99.8% at 120V, 95.7% at 277V

BUG Rating:

B2 U0 G5

Other

BAA Compliance:

Click for BAA compliance.

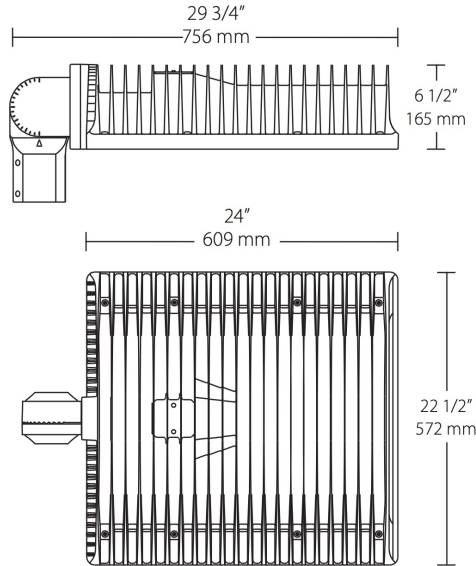
Warranty:

RAB warrants that our LED products will be free from defects in materials and workmanship for a period of five (5) years from the date of delivery to the end user, including coverage of light output, color stability, driver performance and fixture finish.

Buy American Act Compliance:

RAB values USA manufacturing! Upon request, RAB may be able to manufacture this product to be compliant with the Buy American Act (BAA). Please contact customer service to request a quote for the product to be made BAA compliant.

Dimensions



Features

- 66% energy cost savings vs. HID
- 100,000-hour LED lifespan
- Type III distribution
- 5-year, no-compromise warranty

Ordering Matrix

Family	Optics	Wattage	Mounting	Color Temp	Finish	Driver Options	Photocell Options
ALED							
	2T = Type II	50 = 50W	Blank = Pole mount	Blank = 5000K (Cool)	Blank = Bronze	Blank = 120-277V	Blank = No Option
	3T = Type III	78 = 78W	SF = Slipfitter	N = 4000K (Neutral)	RG = Roadway Gray	/480 = 480V (not available for 150W)	/PC = 120V Button Photocell (Pole mount models only)
	4T = Type IV	105 = 105W		Y = 3000K (Warm)	W = White	/BL = Bi-Level	/PC2 = 277V Button Photocell (Pole mount models only)
		125 = 125W				/D10 = 0-10V Dimming	/PCT = 120-277V Twistlock Photocell (Pole mount models only)
		150 = 150W					/PCT4 = 480V Twistlock Photocell (Pole mount models only)
							/PCS = 120V Swivel Photocell
							/PCS2 = 277V Swivel Photocell
							/PCS4 = 480V Swivel Photocell
							/WS2 = Multi-Level Motion Sensor 20 ft. (Only available 0-10V dimming models)
							/WS4 = Multi-Level Motion Sensor 40 ft. (Only available 0-10V dimming models)