



Client: _____ Order #: _____
Project Name: _____ Type: _____ Qty: _____

D411-LED

Polycarbonate Mini Wall Light



Performance Data

CRI

85

CCT

4000K

Projected Lifetime

115,000 Hours (L80)

Dimming

0-10V dimming standard,
100% down to 10%

Operating Temperature

-40°C to +50°C Ambient

UL Listed

Suitable for dry, damp, wet
locations

| | | |
|---------------------|---|---|
| UL Listed | 10 Yr Warranty Including Labor | USA Buy American Act Compliant |
|---------------------|---|---|

Description

The D411-LED polycarbonate wall pack's compact design is ideal for office buildings, homes, townhouses, storage buildings, and restaurants. Featuring a photocell standard, the D411 is an efficient solution for upgrading dated HPS and fluorescent outdoor wall fixtures to next-generation LED technology.

Features

- Injection molded polycarbonate lens.
- Silicone gasketed for extra protection against moisture.
- Mounts easily to a 4" octagonal box or to a 4S box.
- Back plate is die cast aluminum.
- UL Listed for wet locations
- Dark bronze polyester powder coated finish for impact, corrosion and UV resistance.
- Great for low entry light applications.
- Approx. Weight: 5.73 lbs.
- Standard 0-10V Dimming, 100% down to 10%
- Energy-efficient LED performance at 100 lumens per watt
- System Wattage: 18.5 watts

D411-L **20** **40** **UNV** **DM** **PC1**

Ordering Information

A FIXTURE SERIES

D411-L Polycarbonate Mini Wall Light

B WATTAGE/LUMENS

20 20W/1800²

C CCT

40 4000K¹

D VOLTAGE

UNV 120-277V

E DIMMING

DM Dimming (0-10v)¹

F FINISH

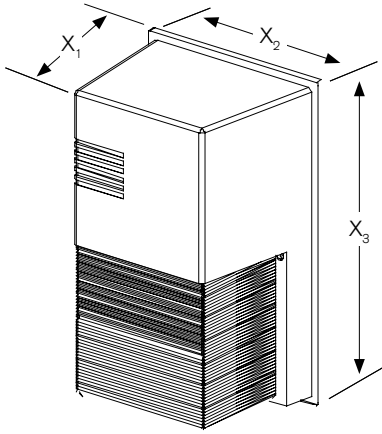
BZ Bronze¹
WH White

G PHOTOCELL

PC1 Photocell (120V-277V)

¹ Standard for fixture
² Delivered Lumens (4000K)

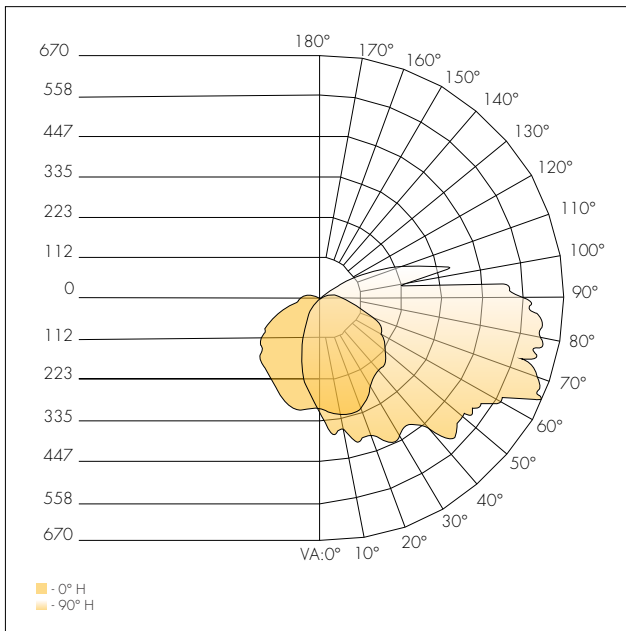
Dimensions



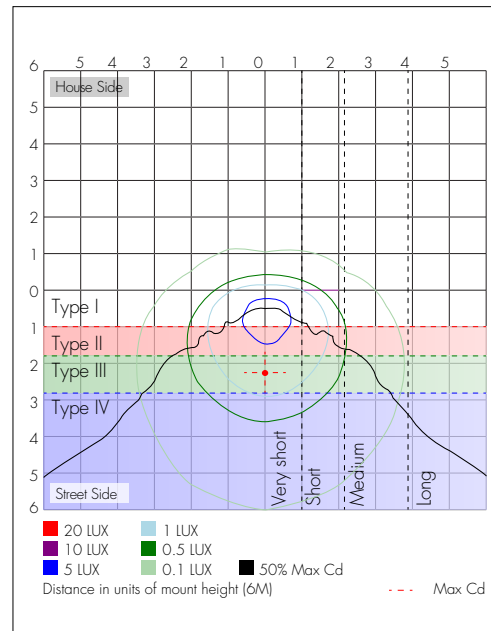
| | Inches |
|----------------------|--------|
| X₁ | 5.20 |
| X₂ | 6.90 |
| X₃ | 11.00 |

Photometrics

Model 20W 4000K



Isolux Plot



Zonal Lumen Summary

| Zone | Lumens | % Luminaire |
|--------|---------|-------------|
| 0-30 | 241.1 | 13.4% |
| 0-40 | 394.5 | 22% |
| 0-60 | 783.7 | 43.6% |
| 60-90 | 649.9 | 36.2% |
| 70-100 | 574.1 | 32% |
| 90-120 | 305.2 | 17% |
| 0-90 | 1,433.6 | 79.8% |
| 90-180 | 363.2 | 20.2% |
| 0-180 | 1,796.8 | 100% |

Mounting Holes

Fixture housing requires mounting holes to be drilled by the installer. This is done by attaching the included foam gasket to the housing, and using the gasket as a template to drill the desired holes.

