

5262



UPC Code: 07847713941

NEMA:
5-15R



5262

Brand Features

Leviton's line of Heavy-Duty Industrial Grade Receptacles are available with a number of wiring options and features. These heavy-duty receptacles are engineered for fine appearance and top performance in demanding commercial and institutional applications using a durable, thermoplastic face and impact-resistant construction.

Item Description

15 Amp, 125 Volt, NEMA 5-15R, 2P, 3W, Industrial Series Extra Heavy Duty Specification Grade, Duplex Receptacle, Straight Blade, Self Grounding, Back & Side 8 Hole Feed-Thru Wired, Brass Strap, - BROWN

Technical Information

AC Horsepower Ratings

At Rated Voltage: 1/2 HP

Electrical Specifications

Dielectric Voltage: Withstands 2000V per UL498

Grounding: Self-Grounding

Temperature Rise: Max 30C after 250 cycles OL at 200 percent rated current

Voltage: 125 Volt

Amperage: 15 Amp

Current Limiting: Full Rated Current

Wire: 3

Pole: 2

Environmental Specifications

Operating Temperature: -40C to 60C

Flammability: Rated V-2 per UL94

Material Specifications

Strap Material: Brass

Face Material: Thermoplastic Nylon

Body Material: Thermoplastic Nylon

Ground Clips: Brass-Plated

Terminal Screws: Brass 10-32

Color: Brown

Line Contacts: Brass Triple-Wipe

Yoke: Brass

Grounding Screw: Brass 8-32

Clamp Nuts: Zinc-Plated Steel

Mechanical Specifications

Product ID: Ratings are permanently marked on device

Terminal ID: Brass-Hot, Green-Ground, Silver-Neutral

Terminal Accom.: 14-10 AWG

Product Features

Color: Brown

NEMA: 5-15R

Standards and Certifications

Warranty: 10 Year Limited

CSA C22.2 No. 42: File 152105

UL Fed Spec WC-596: File E13399

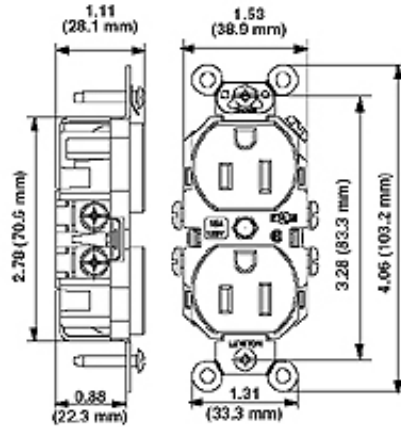
ANSI: C-73

UL498: File E13399

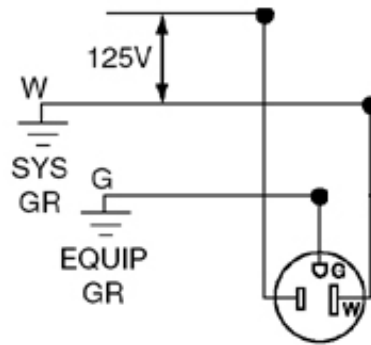
NOM: 057

NEMA: WD-1 & WD-6

Dimensional Diagram



Wiring Diagram



5-15R

SPECIFICATION SUBMITTAL

JOB NAME:	CATALOG NUMBERS:	
<input type="text"/>	<input type="text"/>	<input type="text"/>
JOB NUMBER:	<input type="text"/>	<input type="text"/>

Leviton Manufacturing Co., Inc.

201 North Service Road, Melville, NY 11747

Teléfono: +1-800-323-8920 · FAX: +1-800-832-9538 · Tech Line (8:30AM-7:30PM E.S.T. Monday-Friday): +1-800-824-3005

Leviton Manufacturing of Canada, Ltd.

165 Hymus Boulevard, Pointe Claire, Quebec H9R 1E9 · Telephone: +1-800-469-7890 ·

FAX: +1-800-824-3005 · www.leviton.com/canada

Leviton S. de R.L. de C.V.

Lago Tana 43, Mexico DF, Mexico CP 11290 · Tel.: (+52)55-5082-1040 · FAX: (+52)5386-

1797 · www.leviton.com.mx

Visit our Website at: www.leviton.com

© 2012 Leviton Manufacturing Co., Inc. Todos los derechos reservados. Subject to change without notice.

Leviton has a global presence.

If you would like to know where your local Leviton office is located please go to:

www.leviton.com/international/contacts/

