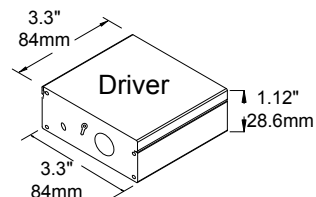
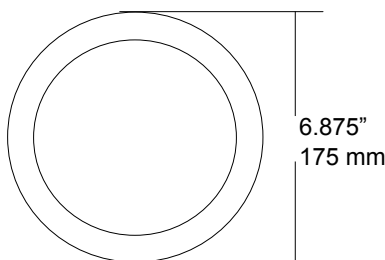
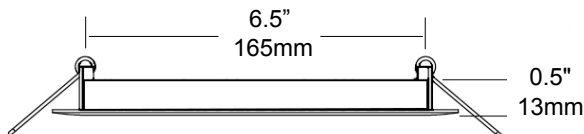
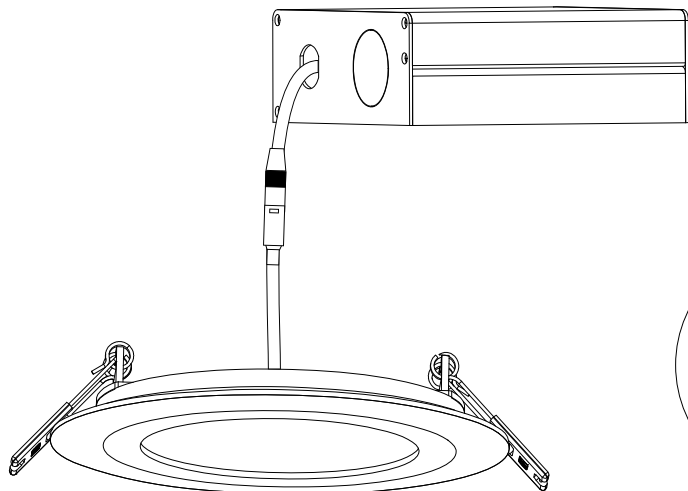


6", 12 watts Thin-line LED Down Light. Designed for retrofit and new construction, damp and wet locations, Thin Line Downlights are a versatile and affordable choice for countless applications.



Features

- Energy Star rated - up to 80% energy savings
- Dimmable to 5% with most standard dimmers
- Available in standard power and high power versions
- 120° beam spread
- Warm White and Neutral White color temperatures
- Two spring loaded clips to attach to any ceiling material
- 4 trim finishes available
- Standard Power suitable for damp and wet location
- No IC can required, for direct contact with insulation and combustible materials
- Connects directly to 120V power supply
- Optional 277V Step-Down Transformer
- 50,000 hour life
- 5 year limited warranty
- Airtight
- cETLus and Energy Star listed

Specifications

LED Color	White
CTT	WW (3000K) NW (4000K)
Input Voltage	100 - 120V, 60Hz
Output Power(W)	12 Watts
No. SMD2835 LEDs	50
Lumen (lm)	770 (WW) 800 (NW)
CRI	>80
Luminous Efficacy (lm/W)	64lm/w (WW) 67lm/w (NW)
Approved Location	Damp / Wet
Dimmable	Yes
Life Span	> 50,000 hrs
Appearance Size	6.875" W x 0.5" D (175mm W x 13mm D)
Installation Hole Size	6.5" (165mm)

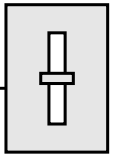
Ordering Code:

LVLDL-06 - - - R - L

LED Color
WW (Warm White 3000K)
NW (Natural White 4000K)

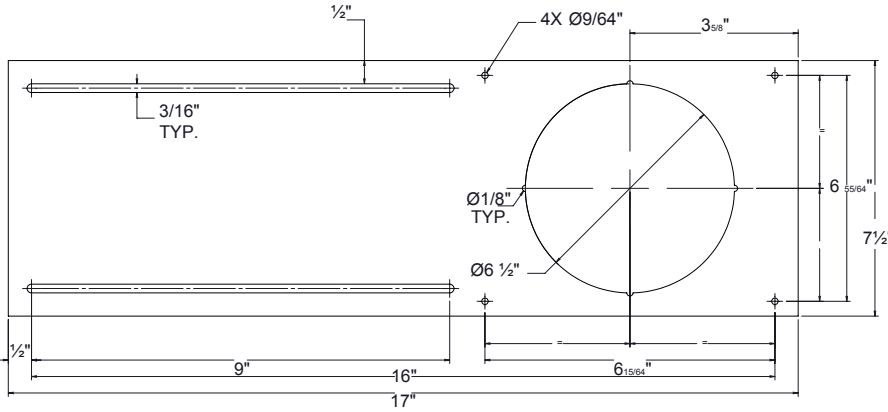
Trim Finish
WH = White Gloss Enamel
BK = Black
BZ = Bronze
BN = Brushed Nickel

Project		Type	
Date		Contact	
Notes			



6", 12 watts Thin-line LED Down Light. Designed for retrofit and new construction, damp and wet locations, Thin Line Downlights are a versatile and affordable choice for countless applications.

Construction Plate



Note: this item is sold separately.

*Dimensions are in inches

Compatible dimmers

Dimmable to 5% with most standard dimmers

Lutron	C.L™ Dimmers
	DVELV-300
	SELV-3600P
	NTELV-300/600
	MAELV-300/600
Leviton	MRF2-6ND-120
	VPE04
	6615
	VPE06
	VRE06
	6672
	6674
	IPE04