



Two adjustable 13W LED floodlights. Equivalent to 2x75W BR30/halogen/wide floods. Comes with sensor with 180° detection pattern at up to 30 ft.

Color: Bronze

Weight: 5.5 lbs

|                     |              |
|---------------------|--------------|
| <b>Project:</b>     | <b>Type:</b> |
| <b>Prepared By:</b> | <b>Date:</b> |

| Driver Info  |                  | LED Info        |              |
|--------------|------------------|-----------------|--------------|
| Type:        | Constant Current | Watts:          | 26W          |
| 120V:        | 0.22A            | Color Temp:     | 5000K (Cool) |
| 208V:        | N/A              | Color Accuracy: | 83 CRI       |
| 240V:        | N/A              | L70 Lifespan:   | 60,000       |
| 277V:        | N/A              | Lumens:         | 2,338        |
| Input Watts: | 27W              | Efficacy:       | 87 LPW       |
| Efficiency:  | 96%              |                 |              |

## Technical Specifications

### Listings

#### UL Listing:

Suitable for wet locations. Suitable for mounting within 4 feet of the ground.

#### IESNA LM-79 & LM-80 Testing:

RAB LED luminaires and LED components have been tested by an independent laboratory in accordance with IESNA LM-79 and LM-80.

### Electrical

#### Driver:

120V driver, 50/60/ Hz, 0.22A, 228mA

#### THD:

11.8% at 120V

#### Power Factor:

99.3% at 120V

#### Voltage:

120VAC, 60Hz

### Optical

#### NEMA Type:

6H x 6V Beam Spread

### Construction

#### Cold Weather Starting:

Minimum starting temperature is -40°C (-40°F)

#### Maximum Ambient Temperature:

Suitable for use in 40°C (104°F)

#### Housing:

Precision die-cast aluminum housing, lens frame and mounting arm

#### Reflector:

Vacuum-metallized polycarbonate

#### Lens:

Diffused glass for smooth, even light distribution

#### Mounting:

Pre-Assembled and wired for easy mounting EZ Hang hook. Compatible with round and rectangular surface mount boxes as well as recessed boxes.

#### Gaskets:

High-temperature silicone gaskets

#### Finish:

Our environmentally friendly polyester powder coatings are formulated for high-durability and long-lasting color

#### Green Technology:

Mercury and UV-free. RoHS compliant components.

### LED Characteristics

#### Note:

All values are typical (tolerance +/- 10%)

#### LEDs:

Long-life, high-efficacy surface mount LEDs

#### Color Uniformity:

RAB's range of CCT (Correlated Color Temperature) follows the guidelines of the American National Standard for Specifications for the Chromaticity of Solid State Lighting (SSL) Products, ANSI C78.377-2017.

### Other

#### 5 Yr Limited Warranty:

Fixture operation and paint finish are covered for a period of 5 years.

#### Equivalency:

Equivalent to 2x75W halogen BR30 wide flood

#### Buy American Act Compliance:

RAB values USA manufacturing! Upon request, RAB may be able to manufacture this product to be compliant with the Buy American Act (BAA). Please contact customer service to request a quote for the product to be made BAA compliant.

### Sensor Characteristics

#### Switching Capacity:

500 Watts of LED LESLIE 13W floods

#### Sensor Power Consumption (when idle):

1 Watt

#### Time Adjustment:

5 seconds to 15 minutes

#### Sensor LED:

Sensor indicator LED glows red day & night for "on guard" deterrence

## Technical Specifications (continued)

### Sensor Characteristics

#### Surge Protection:

Withstands up to 3000 Volts

#### "No Hands" Auto Testing:

Auto mode starts after 4 minutes of testing. No adjustment needed.

#### Manual Override:

Double flip wall switch logic prevents activation by momentary power outages. Override resets to auto at dawn. No extra wiring needed.

#### RF Immunity:

Circuits fully shielded for maximum radio frequency immunity

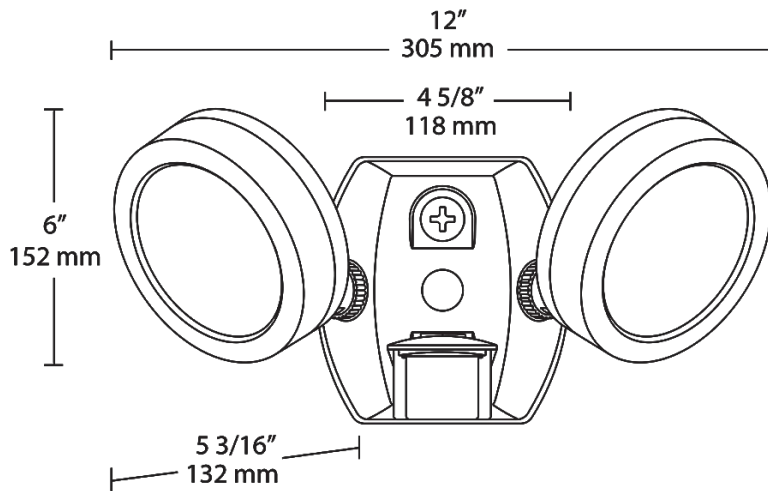
#### Photoelectric Control:

Deactivates lights during daylight. Fully adjustable for 24-hour operation or custom applications.

#### Adjustments:

Time, ambient light & sensitivity

## Dimensions



## Features

- Equivalent to two 75W halogen BR30 wide floods
- 6H x 6V beam distribution delivers ample light
- Diffused lens for smooth, even light distribution
- Adjustable knuckle
- Sensor with 180° detection pattern at up to 30 ft.
- 60,000-Hour LED lifespan

## Ordering Matrix

| Family | Wattage        | Color Temp  | Finish                      |
|--------|----------------|---|-----------------------------|
| SMSLES | 2X13           | Λ   | Λ                           |
|        | 2X13 = 2 x 13W | Blank = 5000K (Cool)<br>N = 4000K (Neutral)<br>Y = 3000K (Warm) | Blank = Bronze<br>W = White |